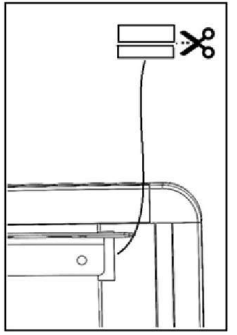
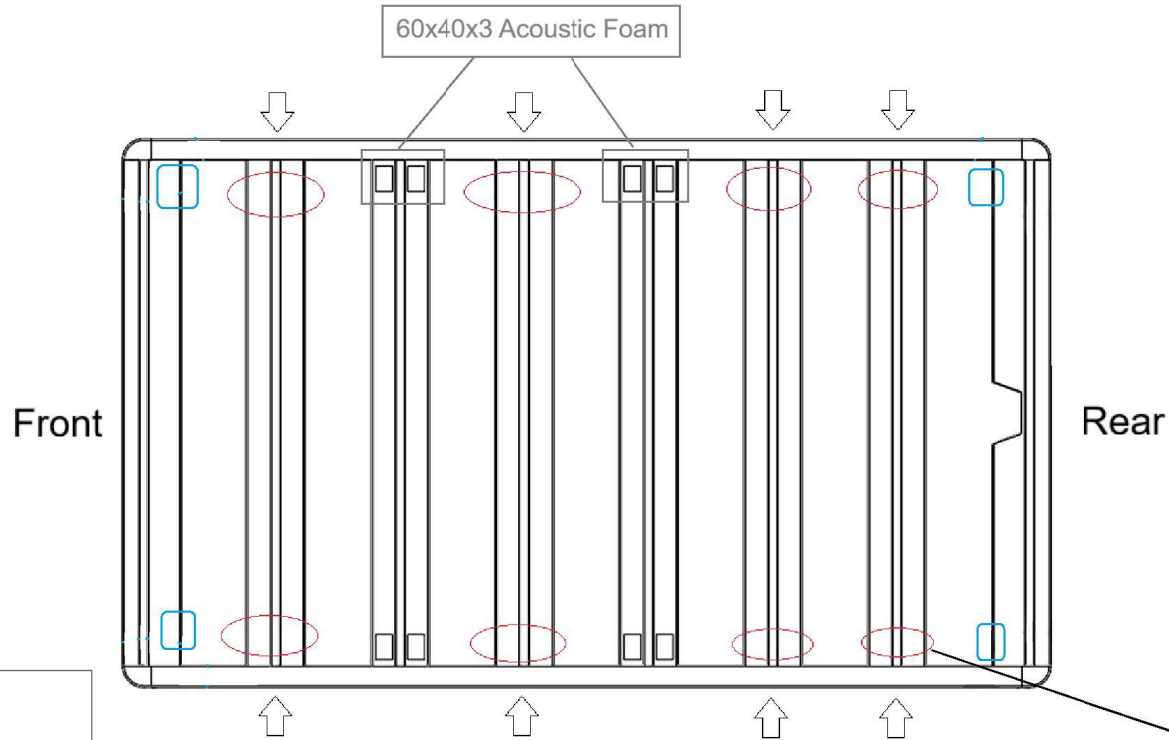


TLRAL22HP Fitting Instructions





***Do this if Tough Bar make contact with the front or rear plank of the roof rack.**



Cut and apply a portion of the acoustic foam tape where the Tough Bar makes contact with front or rear plank of the roof rack

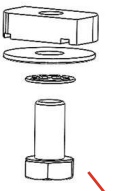
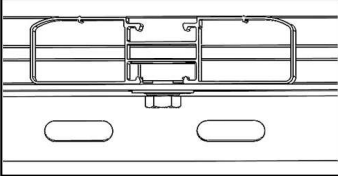
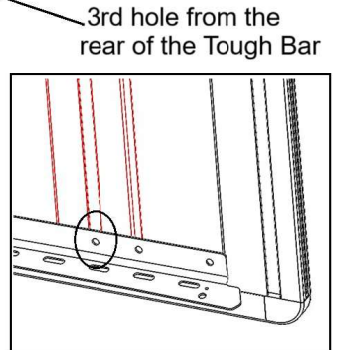


Legends:

-  Possible contact point between planks and Tough Bar terminal edge
-  Location of M10 Strut Nut and fastener kit
-  Indicating the plank to be secured to the Tough Bar
-  Location of Acoustic Foam Tape

Secure to Tough Bar with :

- M10 x 20 Hex Bolt ----- 8 pcs
- 3/8 x 1 1/4 Flat Washer---- 8 pcs
- M10 Inner Star Washer- 8 pcs
- 60x40x3 Foam Tape ----- 10 pcs

Not included - M10 Channel Nut supplied with Leg Bar fitting kit

Included bolt - M10x20 Hex Bolt - substitute for the M10x25 supplied with Leg Bar fitting kit.