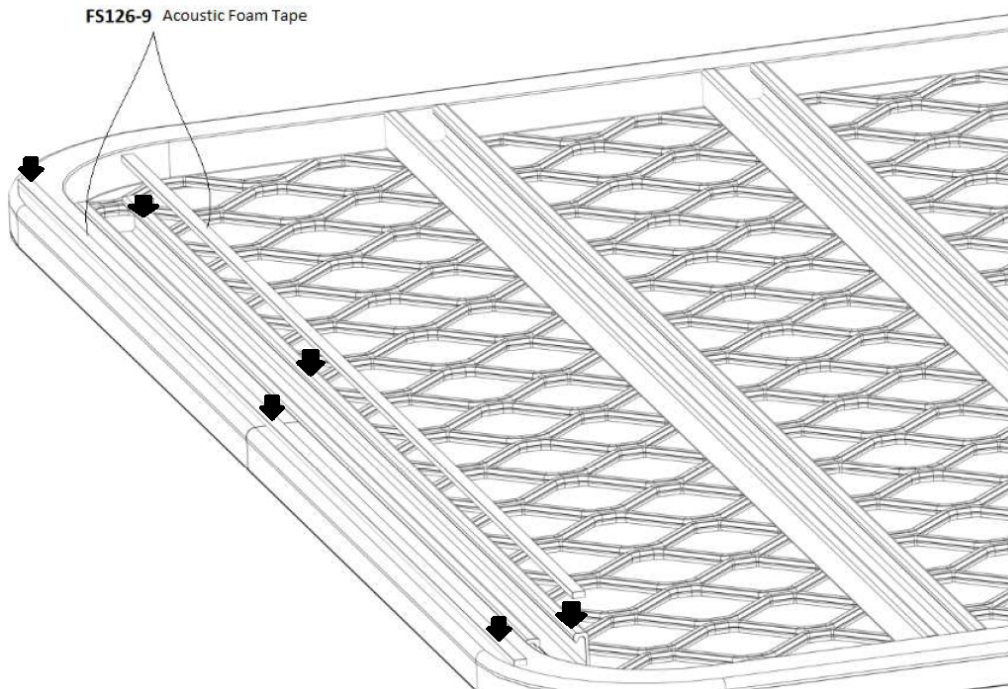


## A. Installation of Wind-deflector

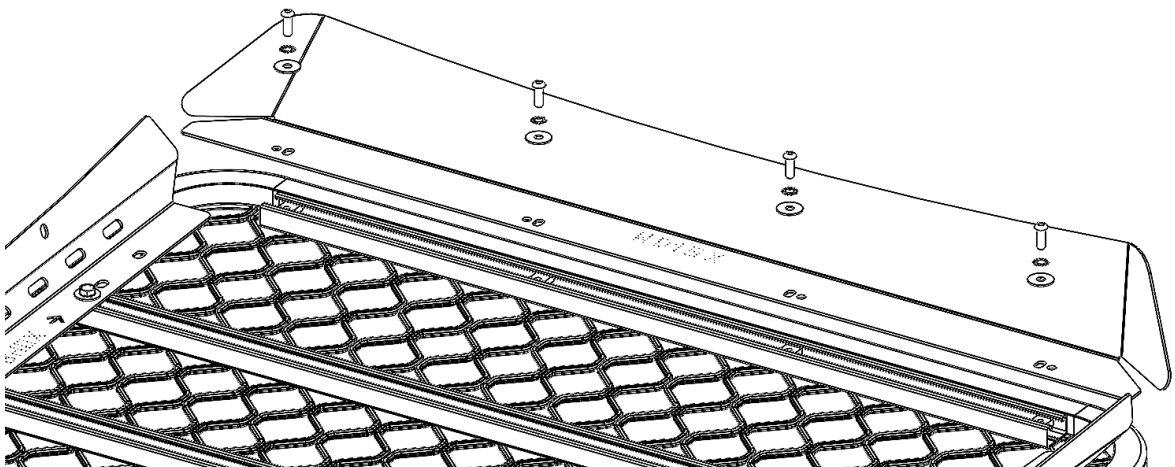
- Apply Acoustic Sponge Tape on to the Roof Rack Frontal Area



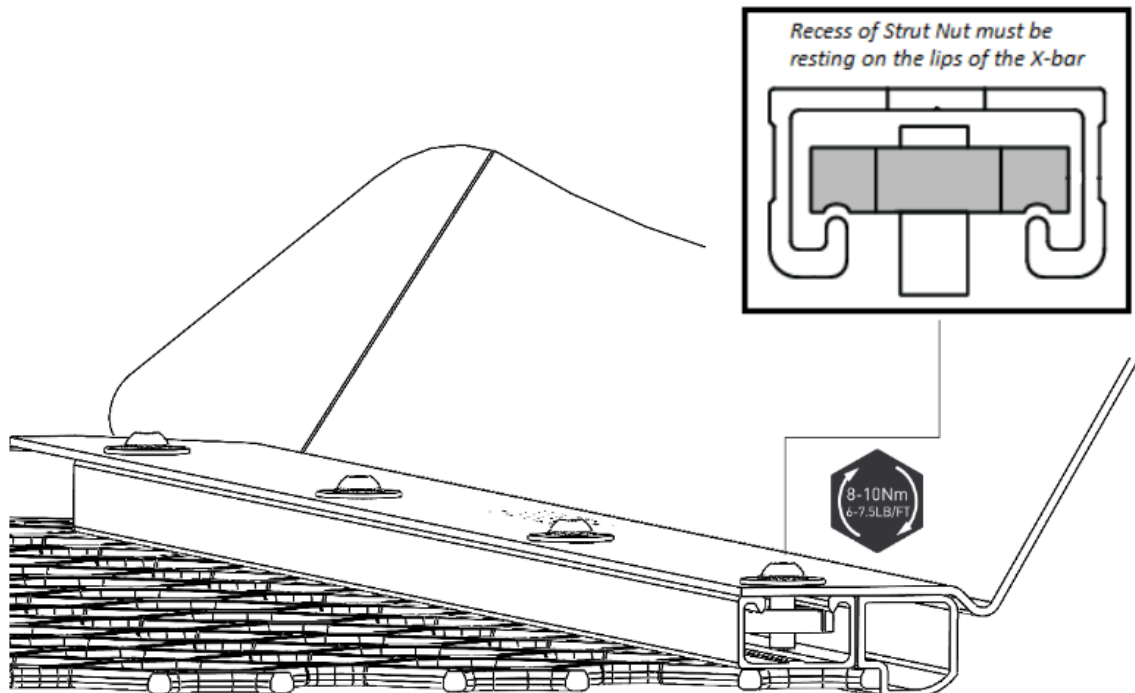
- Secure the Wind-deflector onto the front of the rack as per the illustration shown below:

Mesh Style Rack - 4x M8 x 25 But Soc Screw, Star Washer, Large Flat Washer & Strut Nuts.

P-Series Platform - 4x M8 x 20 But Soc Screw, Star Washer, Large Flat Washer & Strut Nuts. (Supplied with Rack)



- Centralised and tightened.



## MAINTENANCE

- All bolted connections should be checked after driving a short distance when you first install your roof racks
- All bolted connections should be checked at regular intervals, depending on road conditions, usage, loads and distances travelled
- All bolted connections should be checked each time they are re-fitted.

## IMPORTANT WARNING!

IT IS CRITICAL THAT ALL TRACKLANDER 4WD ROOF RACK PRODUCTS BE PROPERLY AND SECURELY ASSEMBLED AND ATTACHED TO YOUR VEHICLE. IMPROPER ATTACHMENT COULD RESULT IN AN VEHICLE ACCIDENT, AND COULD CAUSE SERIOUS BODILY INJURY OR DEATH. YOU ARE RESPONSIBLE FOR ASSEMBLING AND SECURING ALL TRACKLANDER 4WD ROOF RACK PRODUCTS TO YOUR VEHICLE, CHECKING THE ATTACHMENTS PRIOR TO USE, AND PERIODICALLY INSPECTING THE PRODUCTS FOR ADJUSTMENT, WEAR AND TEAR. THEREFORE, YOU MUST READ AND UNDERSTAND ALL OF THE INSTRUCTIONS AND PRECAUTIONS SUPPLIED WITH YOUR TRACKLANDER 4WD ROOF RACK AND ACCESSORIES PRIOR TO INSTALLATION OR USE. IF YOU DO NOT UNDERSTAND ALL OF THE INSTRUCTIONS AND WARNINGS, OR IF YOU HAVE NO MECHANICAL EXPERIENCE AND ARE NOT THOROUGHLY FAMILIAR WITH THE INSTALLATION PROCEDURES, YOU SHOULD HAVE THE PRODUCT INSTALLED BY A PROFESSIONAL INSTALLER OR OTHER QUALIFIED PERSON.

NOTE: TRACKLANDER 4WD ROOF RACKS will not be responsible for any damage caused by the failure to install the product according to these instructions. Please call us if you have any questions about the installation of this product.

## TRACKLANDER 4WD ROOF RACKS

**T** : (08) 9451 0700 **E** : [sales@tracklander.com.au](mailto:sales@tracklander.com.au) **W** : [tracklander.com.au](http://tracklander.com.au)  
**A**: 12 Railway Parade, Welshpool, WA 6106  
OPEN 8.00AM - 5.00PM MON-FRI