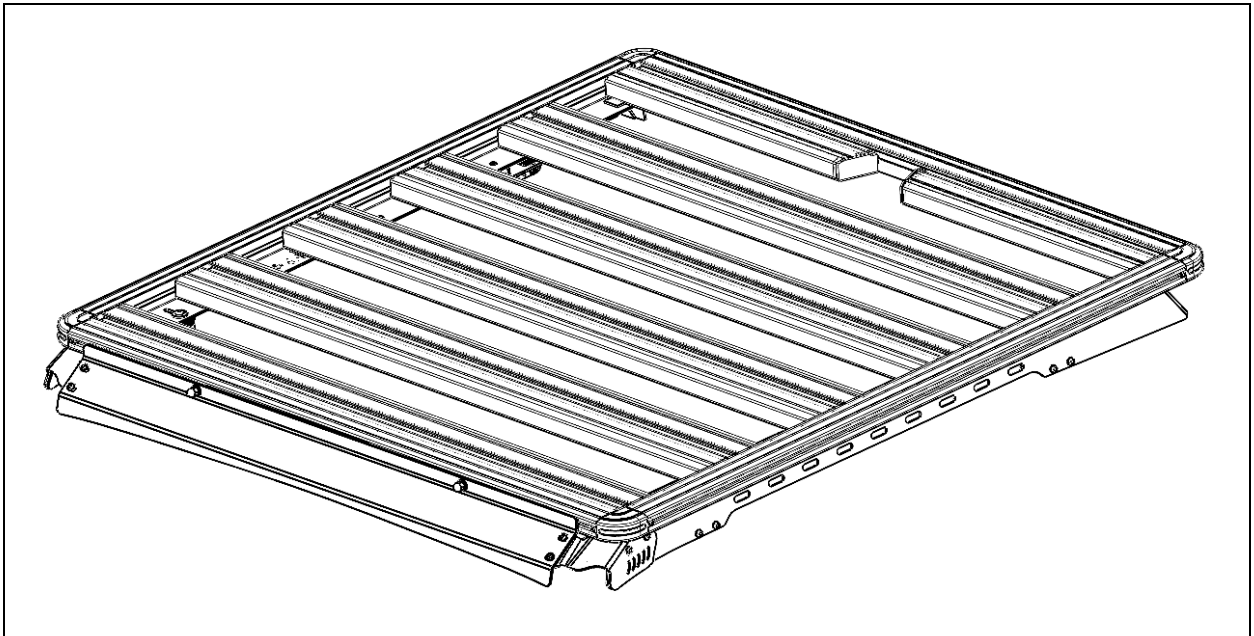


TLRXLBKIT166

(Toughbar for BYD SHARK 6)

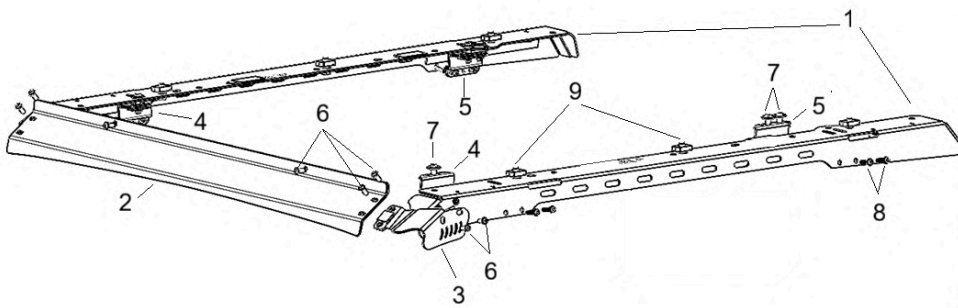
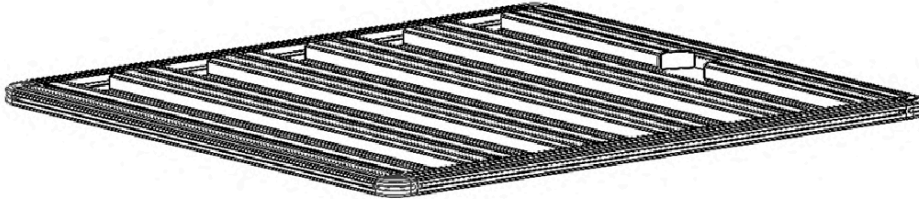
Roof Rack (TLRAL14HP)



Thank you for purchasing a TRACKLANDER 4WD ROOF RACK. Before you start, take a moment to familiarise yourself with the Fitting Instructions and the components received.

Refer to the next section for a list of all the components, quantities and tools required.




TLRAL14HP *Roof rack sold separately



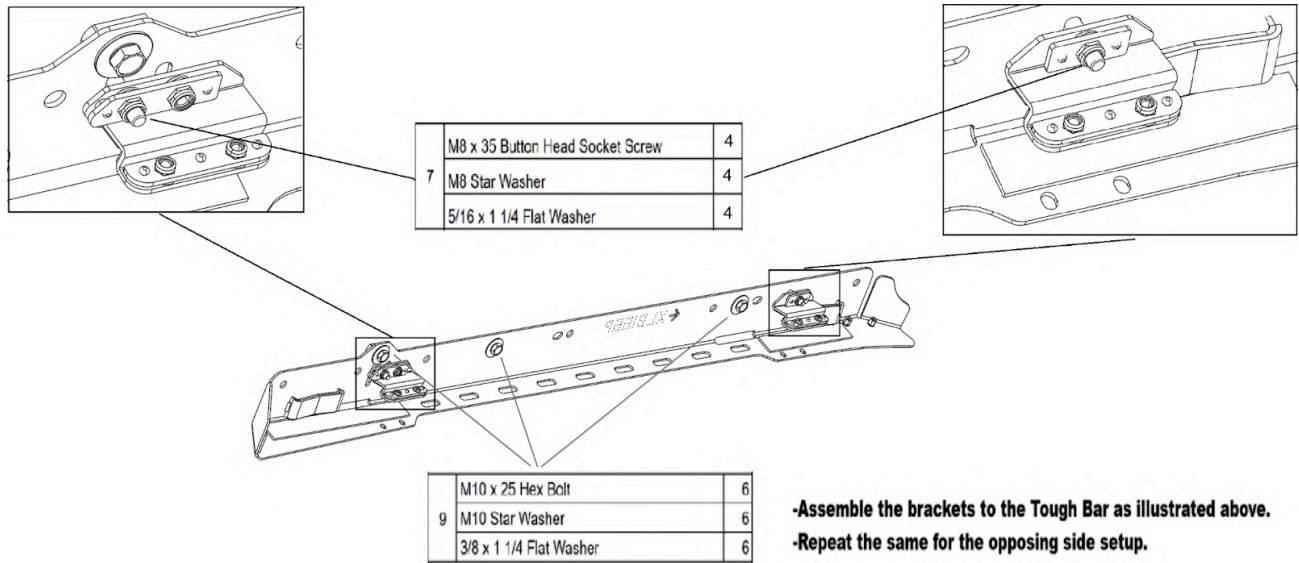
No	Item	Qty
1	Tough Bar (Pair-XLB166P)	1
2	Wind Deflector	1
3	Wind Deflector Adaptor (Pair)	1
4	Front Rail Bracket (Pair)	1
5	Rear Rail Bracket (Pair)	1
Fastener Kit for Wing Deflector		
	M6 x 20 Button Head Socket Screw	6
	M6 Star Washer	6
	M6 Flat Washer	6
6	M8 x 20 Hexagon Bolt	2
	M8 Star Washer	2
	M8 Flat Washer	2
	M8 Dome Nut	2
Fastener Kit for Rail Brackets		
	M8 x 35 Button Head Socket Screw	6
7	M8 Star Washer	6
	5/16 x 1 1/4 Flat Washer	6
	M6 x 55 Button Head Socket Screw	8
8	M6 Star Washer	8
	M6 Flat Washer	8
Tough Bar Fastener Kit		
	M10 x 25 Hex Bolt	6
9	M10 Star Washer	6
	3/8 x 1 1/4 Flat Washer	6

*Note: Item No 6 & 8 are **Black Stainless Steel Fasteners**

Tools required
4mm Hexagon Wrench/Key, M6
5mm Hexagon Wrench/Key, M8
Size 13mm Spanner for M8 Hex Bolt
Size 17mm Spanner for M10 Hex Bolt
Measuring Tape

Recommended Torque Setting for fasteners	
M6	
M8	
M10	

Installation for Plank Base Rack (TLRAL14HP)

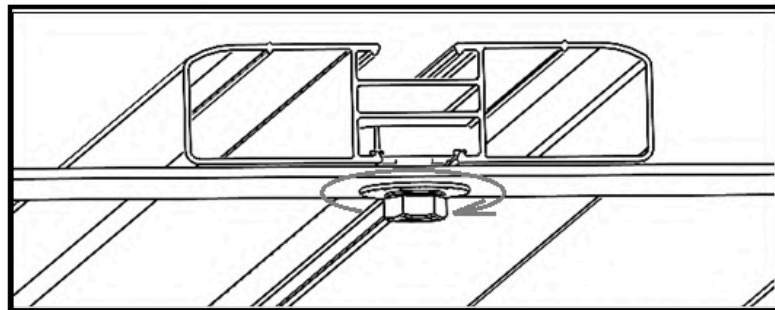
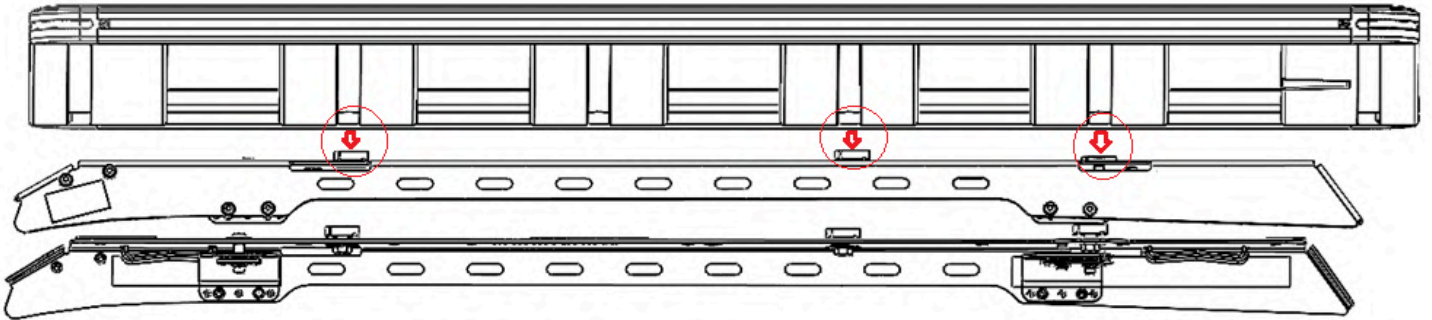


Rest the Tough Bars onto the factory fitted rails and secure firmly into position



-Rest the Horizon Plank Rack onto the Tough Bar

-Make sure that the M10 Strut Nuts on the Tough Bar are aligned with the channels of the Horizon Plank Rack as illustrated below:

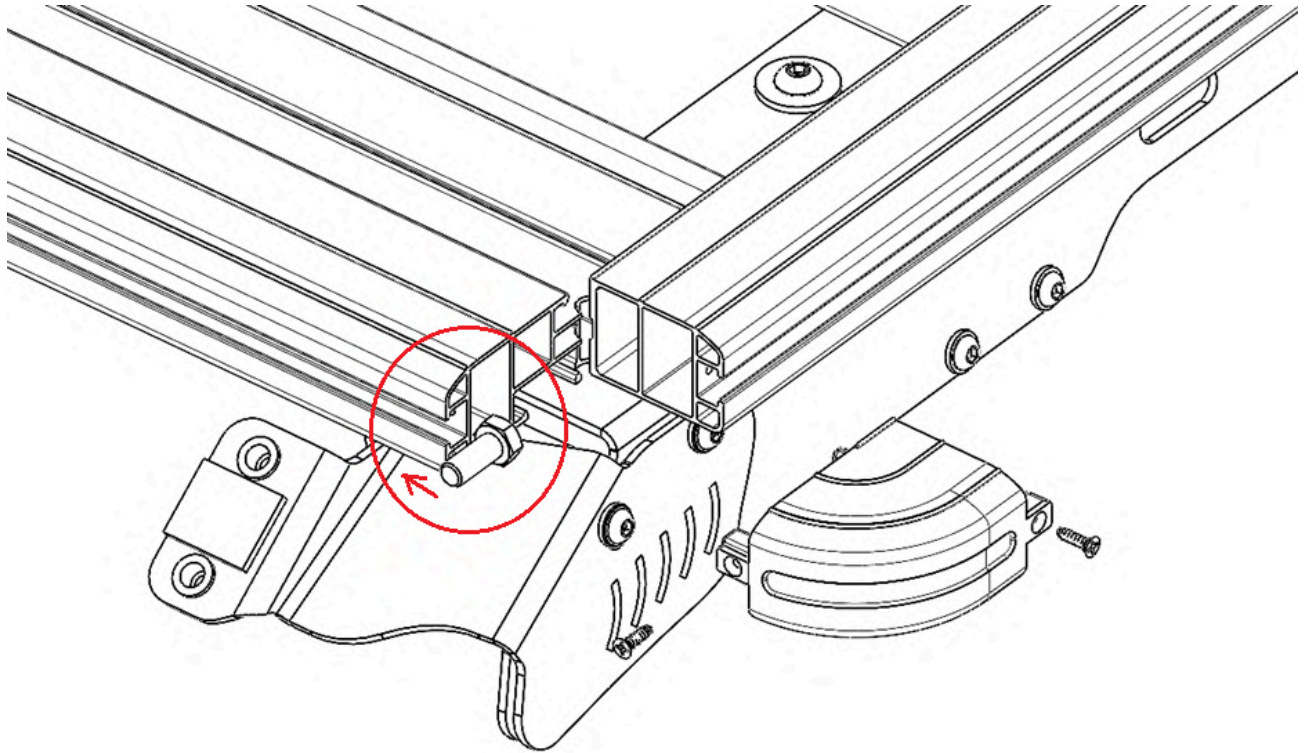


***Turn the M10 x 20 Hex Bolt (Clockwise looking into the base of Plank for tightening)**

****Make sure the groves on the Strut Nut engage to the lips of the channel**

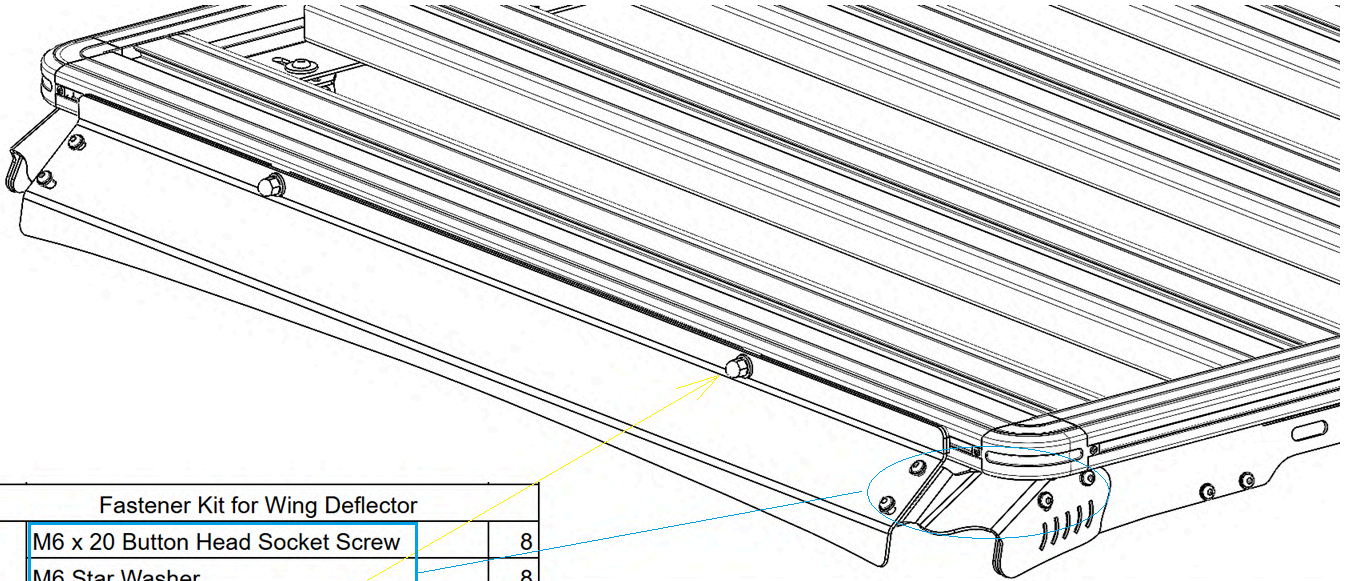
-Centralise the Horizon Plank Rack before tightening the M10 Strut Nut with a size 17 spanner.

-Attach the Wind Deflector Adaptor to the Tough Bar with Fastener Kit No. 6

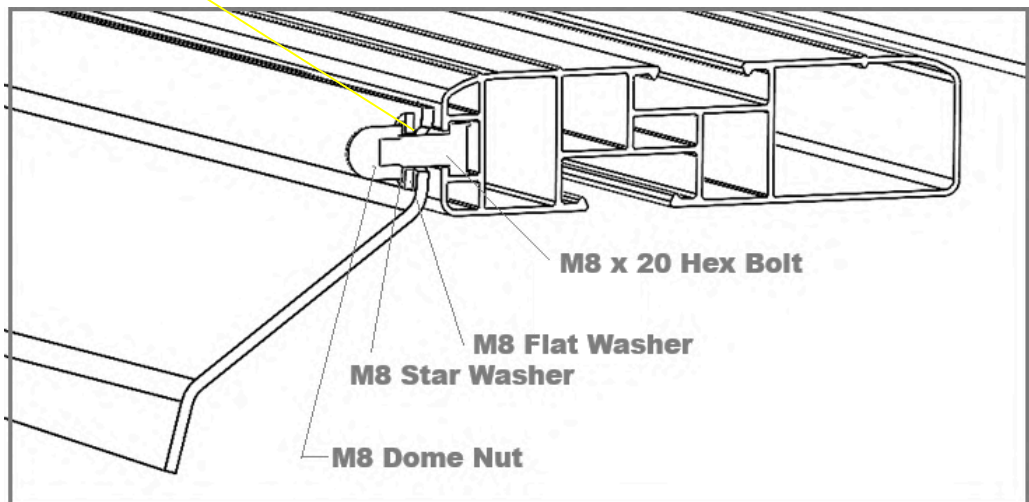


- Remove the self-tapping screws(02pcs) from the Corner Cap
- Remove the Corner Cap by sliding them away from vehicle centre
- Insert the head of the M10x20 Hexagon Bolt into the groove located at the leading edge of the front plank
- Slide the M10 bolt to the desired location
- Reverse the process to fasten back the Corner Cap

-Centralise the Wind Deflector and secure in position using No.6 Fastener Kit



Fastener Kit for Wing Deflector		
	M6 x 20 Button Head Socket Screw	8
	M6 Star Washer	8
	M6 Flat Washer	8
6	M8 x 20 Hexagon Bolt	2
	M8 Star Washer	2
	M8 Flat Washer	2
	M8 Dome Nut	2



-Check through all the fasteners to ensure that they are tightened

-The installation is now completed once the safety check is done.



IMPORTANT WARNING!

IT IS CRITICAL THAT ALL TRACKLANDER 4WD ROOF RACK PRODUCTS BE PROPERLY AND SECURELY ASSEMBLED AND ATTACHED TO YOUR VEHICLE. IMPROPER ATTACHMENT COULD RESULT IN AN VEHICLE ACCIDENT, AND COULD CAUSE SERIOUS BODILY INJURY OR DEATH. YOU ARE RESPONSIBLE FOR ASSEMBLING AND SECURING ALL TRACKLANDER 4WD ROOF RACK PRODUCTS TO YOUR VEHICLE, CHECKING THE ATTACHMENTS PRIOR TO USE, AND PERIODICALLY INSPECTING THE PRODUCTS FOR ADJUSTMENT, WEAR AND TEAR. THEREFORE, YOU MUST READ AND UNDERSTAND ALL OF THE INSTRUCTIONS AND PRECAUTIONS SUPPLIED WITH YOUR TRACKLANDER 4WD ROOF RACK AND ACCESSORIES PRIOR TO INSTALLATION OR USE. IF YOU DO NOT UNDERSTAND ALL OF THE INSTRUCTIONS AND WARNINGS, OR IF YOU HAVE NO MECHANICAL EXPERIENCE AND ARE NOT THOROUGHLY FAMILIAR WITH THE INSTALLATION PROCEDURES, YOU SHOULD HAVE THE PRODUCT INSTALLED BY A PROFESSIONAL INSTALLER OR OTHER QUALIFIED PERSON.

NOTE: TRACKLANDER 4WD ROOF RACKS will not be responsible for any damage caused by the failure to install the product according to these instructions. Please call us if you have any questions about the installation of this product.

TRACKLANDER 4WD ROOF RACKS

T : (08) 9451 0700 E :sales@tracklander.com.au W
:tracklander.com.au A:12 Railway Parade, Welshpool, WA 6106
OPEN 8.00AM - 5.00PM MON-FRI