

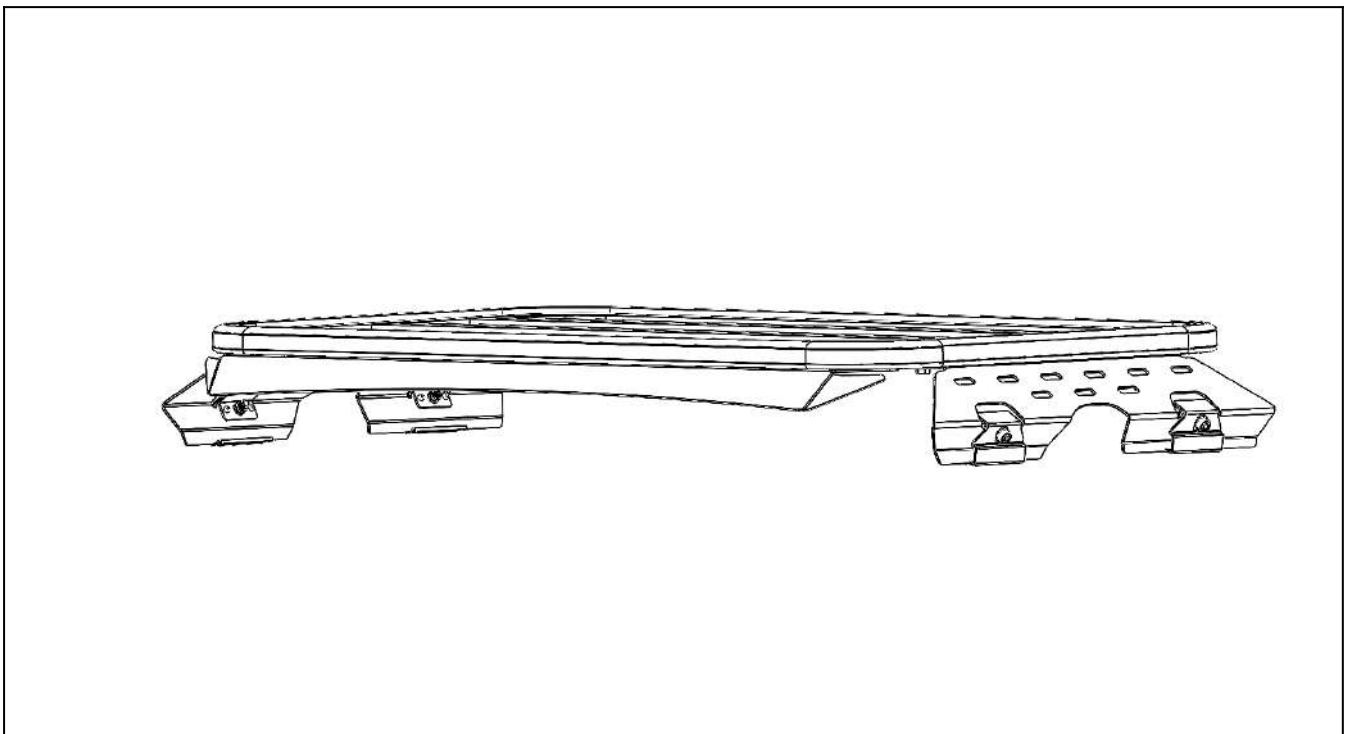


## 79 series Toyota Landcruiser, Single Cab

Roof Rack(TLRAL14/FT/OE)

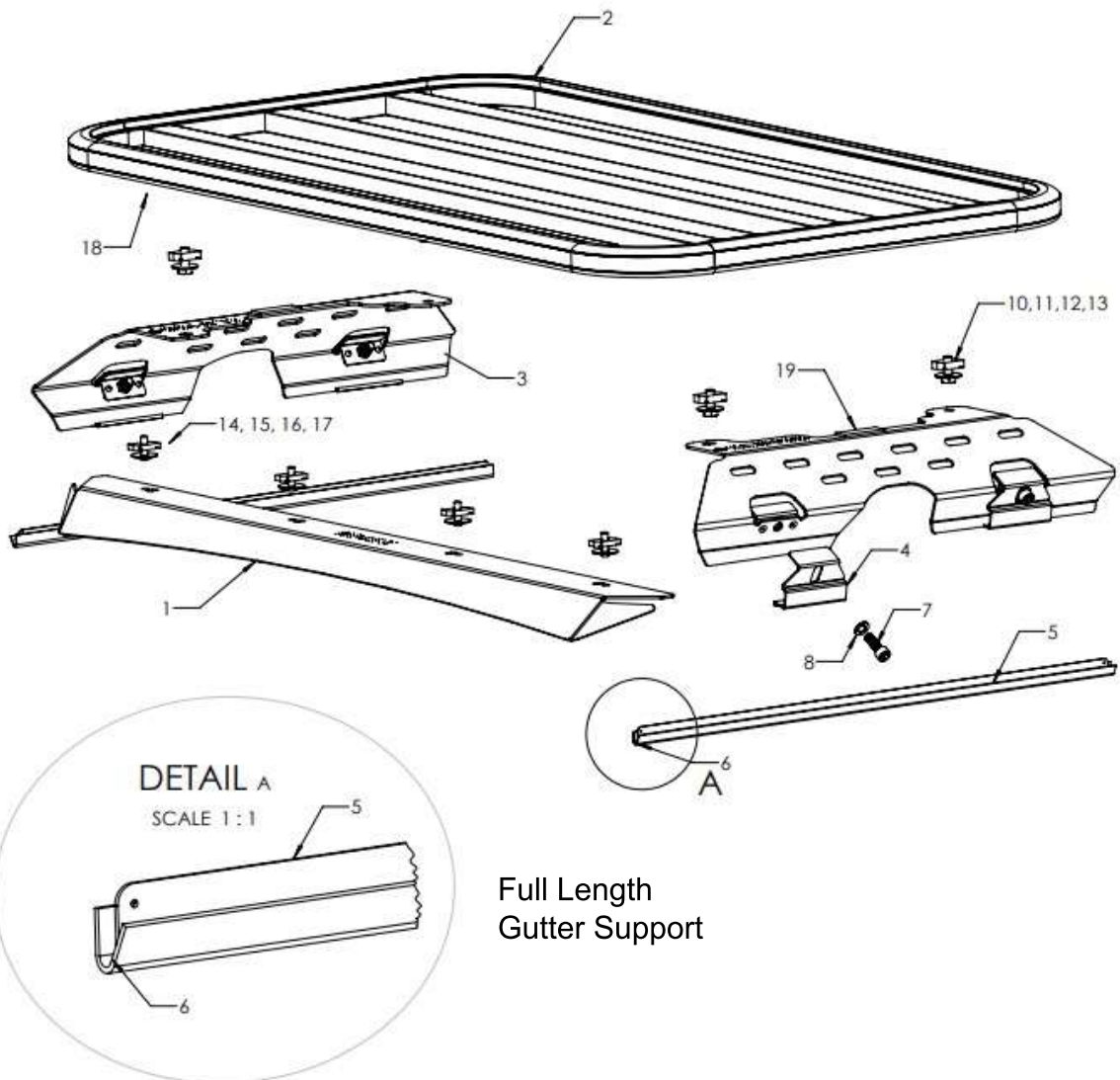
Wind Deflector(TLRWD12X)

TOUGH BAR(XLBKIT156)



**Thank you for purchasing a TRACKLANDER 4WD ROOF RACK. Before you start, take a moment to familiarise yourself with the Fitting Instructions and the components received. Refer to the next section for a list of all the components, quantities and tools required.**



## What's inside the box



ITEM NO.	PART NUMBER	DESCRIPTION	QTY.
1	WD12X	WIND DEFLECTOR	1
2	TLRAL07FT	700 x 1250mm Flat Top Roof Rack	1
3	XLB156	TOUGHBAR X TO SUIT 700 ROOF RACK (PAIR)	1
4	TLRGCX	X SERIES GUTTER CLAMP	4
5	TLRFLGS700	FULL LENGTH GUTTER SUPPORT, 700MM	2
6	TLRGN5	5MM GUTTER NYLON, 720MM	2
GUTTER CLAMP FASTENER KIT			
7	GCFK	M10 x 35mm SOCKET HEAD CAP SCREW	4
8		$\frac{3}{8}$ x $\frac{3}{4}$ FLAT WASHER, SS304	4
9	TLRGCN	PVC EXTRUSION, 95MM	4
X BAR FASTENER KIT			
10	FKIT155-1	M10 STRUT NUT	4
11		$\frac{3}{8}$ x $1\frac{1}{4}$ SS FLAT WASHER	4
12		M10 STAR WASHER	4
13		M10 X 25mm Hex Bolt	4
WIND DEFLECTOR FASTENER KIT			
14	FKIT2 OR FKIT4	M8 STRUT NUT	4
15		$\frac{5}{16}$ x $1\frac{1}{4}$ SS FLAT WASHER	4
16		M8 STAR WASHER	4
17		M8 X 25mm SOCKET HEAD CAP SCREW	4
MISC			
18	FS126-9	Acoustic Foam Tape, (1100mm)	2
19	FS643-020	Acoustic Pad, (20 x 60 mm)	2

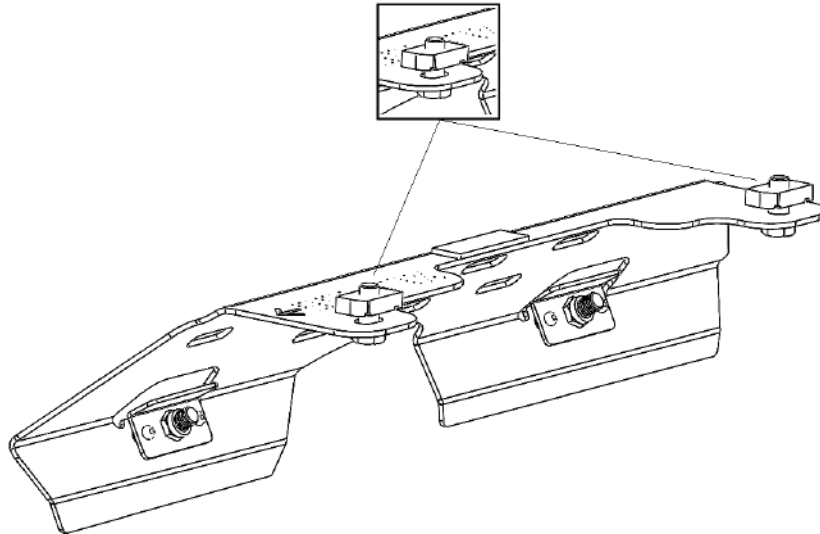
Note: 1, 2, 14, 15, 16, 17 & 18 are provided only for purchase of a complete kit  
18 are not shown in the picture (Affixed to underside of the Roof Rack)

Tools required
5mm Hexagon Wrench/Key, M8
8mm Hexagon Wrench/Key, M10
Size 17mm Spanner
Measuring Tape

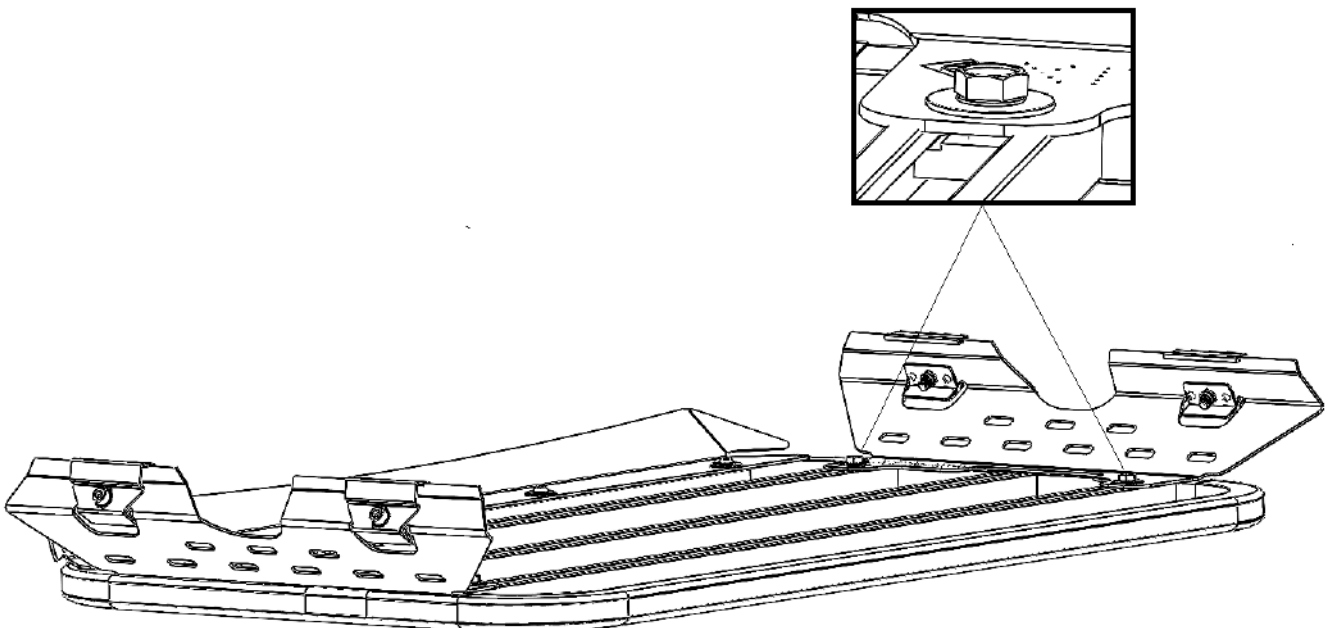
Recommended Torque Setting for fasteners	
M8	
M10	

## Step 1: Setting up Tough Bars onto Roof Rack

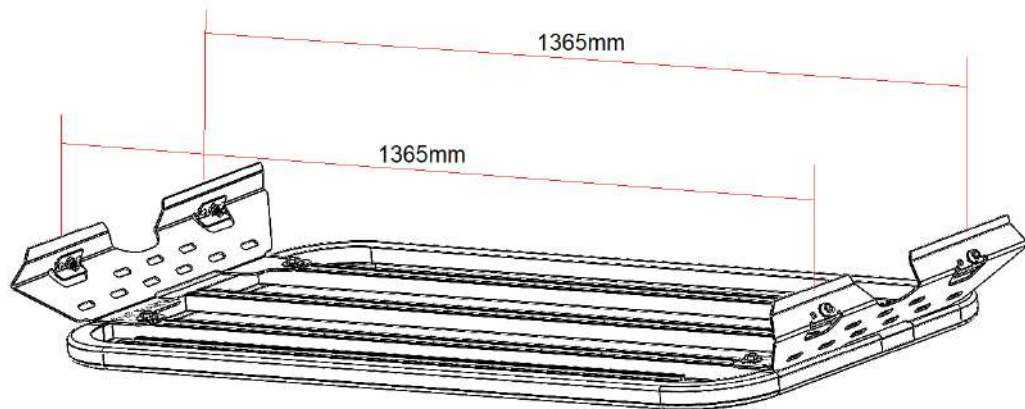
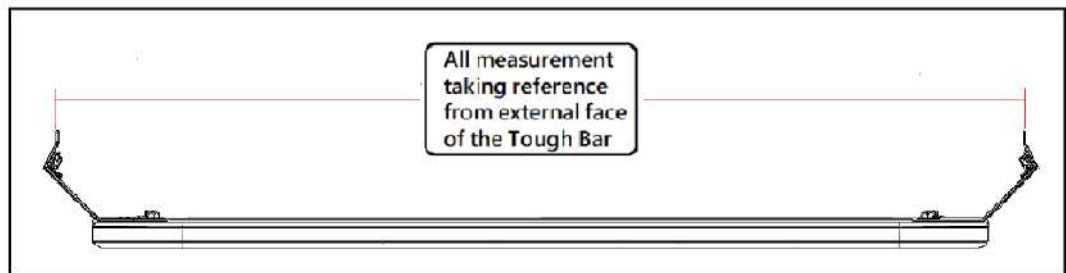
- Install the M10 Strut Nut and M10 bolt into their respective location onto the top Tough Bar as shown:



- Place the roof rack on a flat surface with the open side of the channel cross members facing upward.

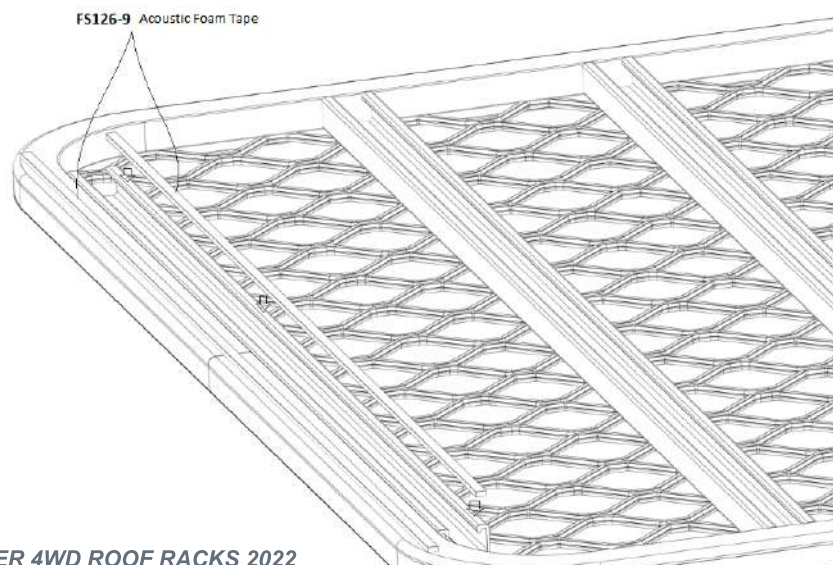


- Adjust the Tough Bar according to the distance specified below. Centralise before securing the Tough Bar firmly in position.

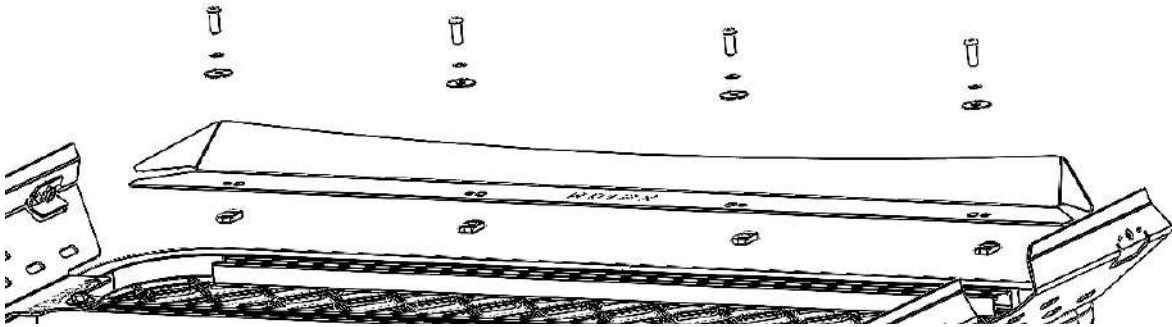


## Step 2: Installation of Wind-deflector(TLRWD12X)

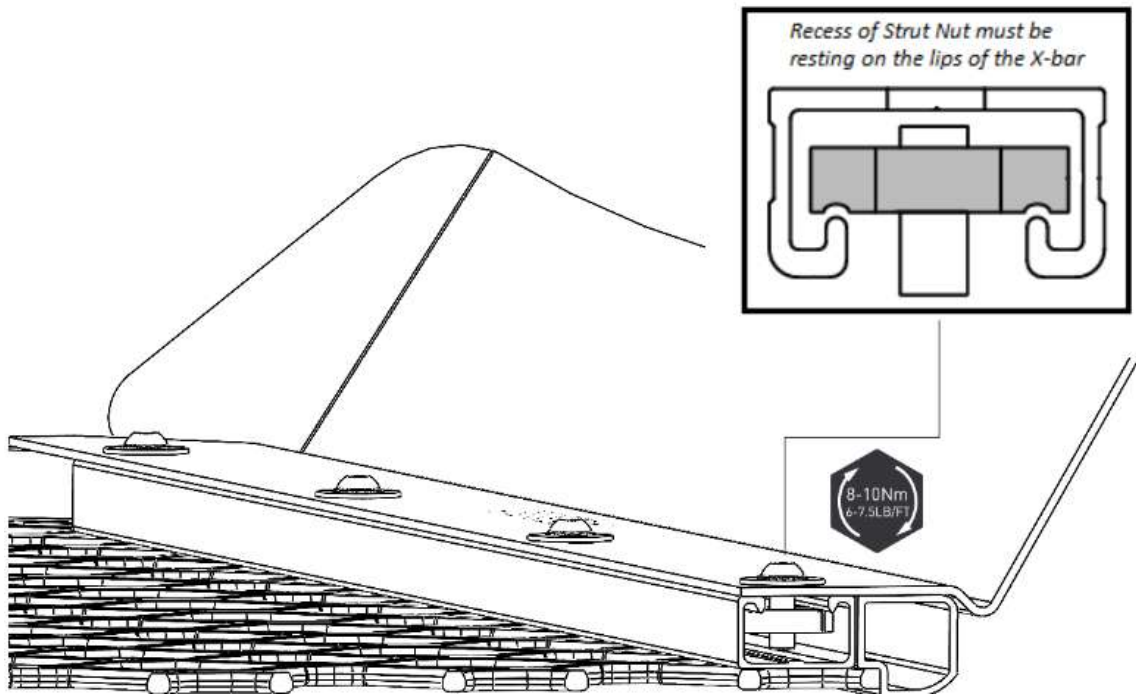
- Apply Acoustic Foam Tape on to the Roof Rack Frontal Area



- Secure the Wind-deflector onto the front of the rack as per the illustration shown below:

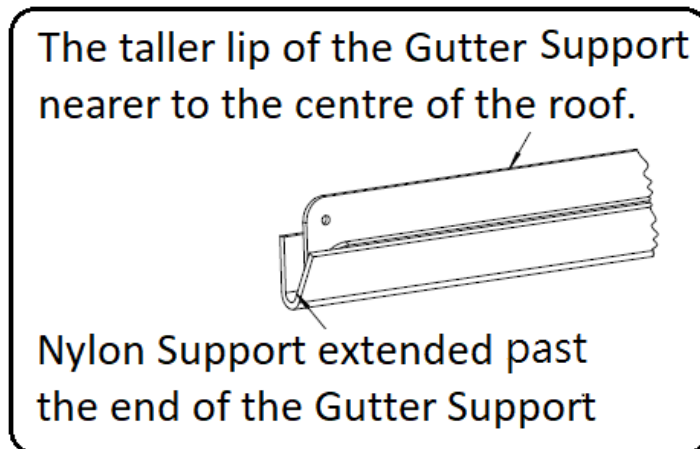


- Centralised and tightened.

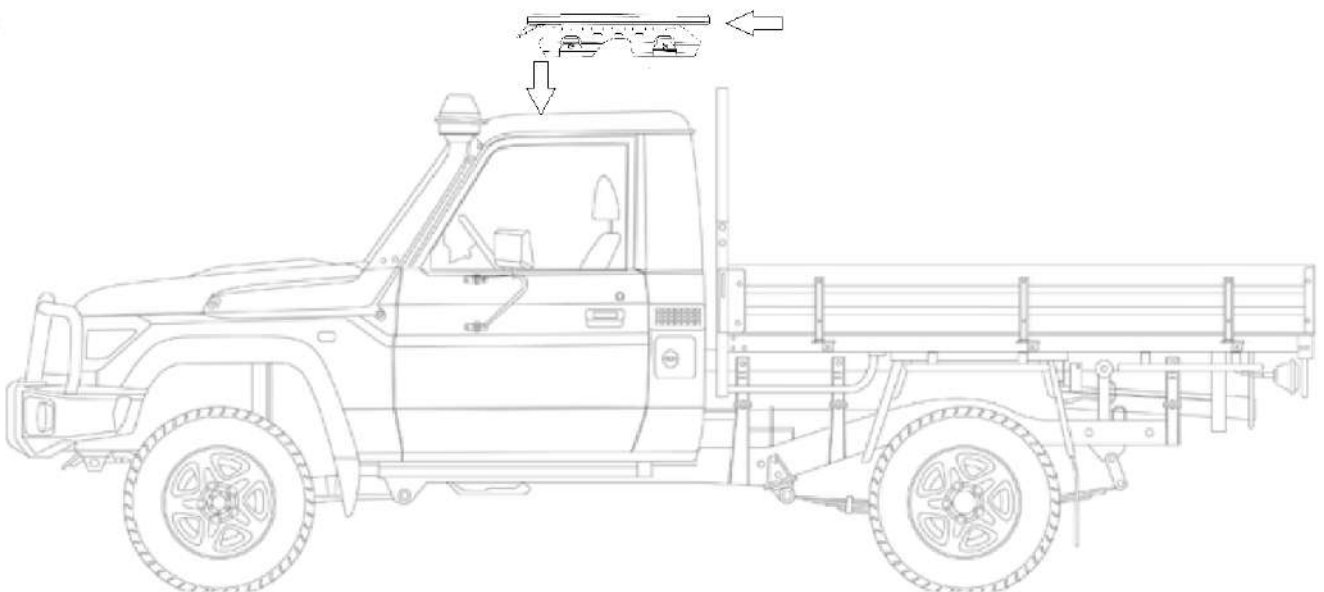


### Step 3: Mount the Roof-rack assembly onto the gutter.

- Install the Gutter Nylon onto the outer face of the Gutter Support (Allow the Gutter Nylon to extend past the end of the Gutter Support)



- Place the Gutter Support onto the vehicle's gutter ( Shorter lip of the Gutter Support facing away from the centre of the vehicle.)



- With a person either side of the Roof Rack, carry the Roof Rack over the rear of the vehicle and rest the Tough Bar gently over the Gutter Support (Make sure that the Legs of the Tough Bar stay within the Gutter Support)

- Insert the Rail Clamps into the 2 slots along the Tough Bar.



- Secure the Roof Rack Assemble via the Rail Clamps using the M10x30 Socket Head Cap Screw, pairing with  $\frac{3}{8}$  x  $\frac{3}{4}$  Flat Washer. (Tighten to 10-12Nm)

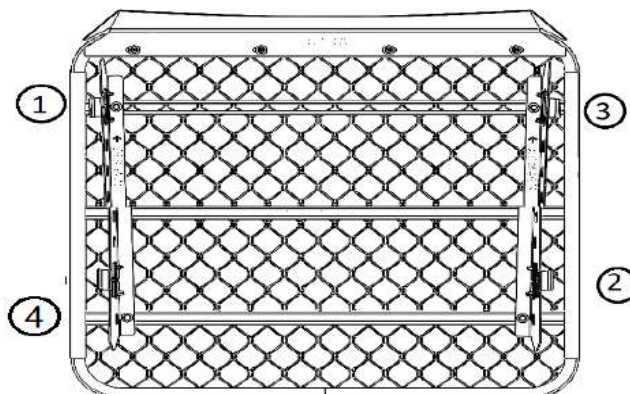


- Check and perform final securing procedure as suggested below:  
(Solely for illustration, not the actual model)



**Final Check & Tightening Procedure**

- \* Follow the tightening sequence as shown below:



## Step 4: Trim the PVC Extrusion of the Gutter Clamps

- To prevent the PVC Extrusion from interfering with the movement of the front door, trim the exposed side of the PVC extrusion as shown below (Only on the 1st Gutter Clamps located on Driver and Passenger front door):



- The photo below shows a front Gutter Clamp after the trimming process.



- The installation is now completed and ready to be used.

## SAFETY

- Cargo must be secured firmly onto the Roof Rack during operation at all times.
- Frequently check the tightness of cargo on the Roof Rack, especially when travelling over rough terrain or off-road
- Use only non-stretchable fastening ropes or straps to attach cargo onto the Roof Rack.
- Extreme care must be taken in off road conditions.

## MAINTENANCE

- All bolted connections should be checked after driving a short distance when you first install your roof racks
- All bolted connections should be checked at regular intervals, depending on road conditions, usage, loads and distances travelled
- All bolted connections should be checked each time they are re-fitted.



### **IMPORTANT WARNING!**

IT IS CRITICAL THAT ALL TRACKLANDER 4WD ROOF RACK PRODUCTS BE PROPERLY AND SECURELY ASSEMBLED AND ATTACHED TO YOUR VEHICLE. IMPROPER ATTACHMENT COULD RESULT IN AN VEHICLE ACCIDENT, AND COULD CAUSE SERIOUS BODILY INJURY OR DEATH. YOU ARE RESPONSIBLE FOR ASSEMBLING AND SECURING ALL TRACKLANDER 4WD ROOF RACK PRODUCTS TO YOUR VEHICLE, CHECKING THE ATTACHMENTS PRIOR TO USE, AND PERIODICALLY INSPECTING THE PRODUCTS FOR ADJUSTMENT, WEAR AND TEAR. THEREFORE, YOU MUST READ AND UNDERSTAND ALL OF THE INSTRUCTIONS AND PRECAUTIONS SUPPLIED WITH YOUR TRACKLANDER 4WD ROOF RACK AND ACCESSORIES PRIOR TO INSTALLATION OR USE. IF YOU DO NOT UNDERSTAND ALL OF THE INSTRUCTIONS AND WARNINGS, OR IF YOU HAVE NO MECHANICAL EXPERIENCE AND ARE NOT THOROUGHLY FAMILIAR WITH THE INSTALLATION PROCEDURES, YOU SHOULD HAVE THE PRODUCT INSTALLED BY A PROFESSIONAL INSTALLER OR OTHER QUALIFIED PERSON.

NOTE: TRACKLANDER 4WD ROOF RACKS will not be responsible for any damage caused by the failure to install the product according to these instructions. Please call us if you have any questions about the installation of this product.

## **TRACKLANDER 4WD ROOF RACKS**

**T : (08) 9451 0700 E : [sales@tracklander.com.au](mailto:sales@tracklander.com.au) W : [tracklander.com.au](http://tracklander.com.au)**  
**A: 12 Railway Parade, Welshpool, WA 6106**  
**OPEN 8.00AM - 5.00PM MON-FRI**