

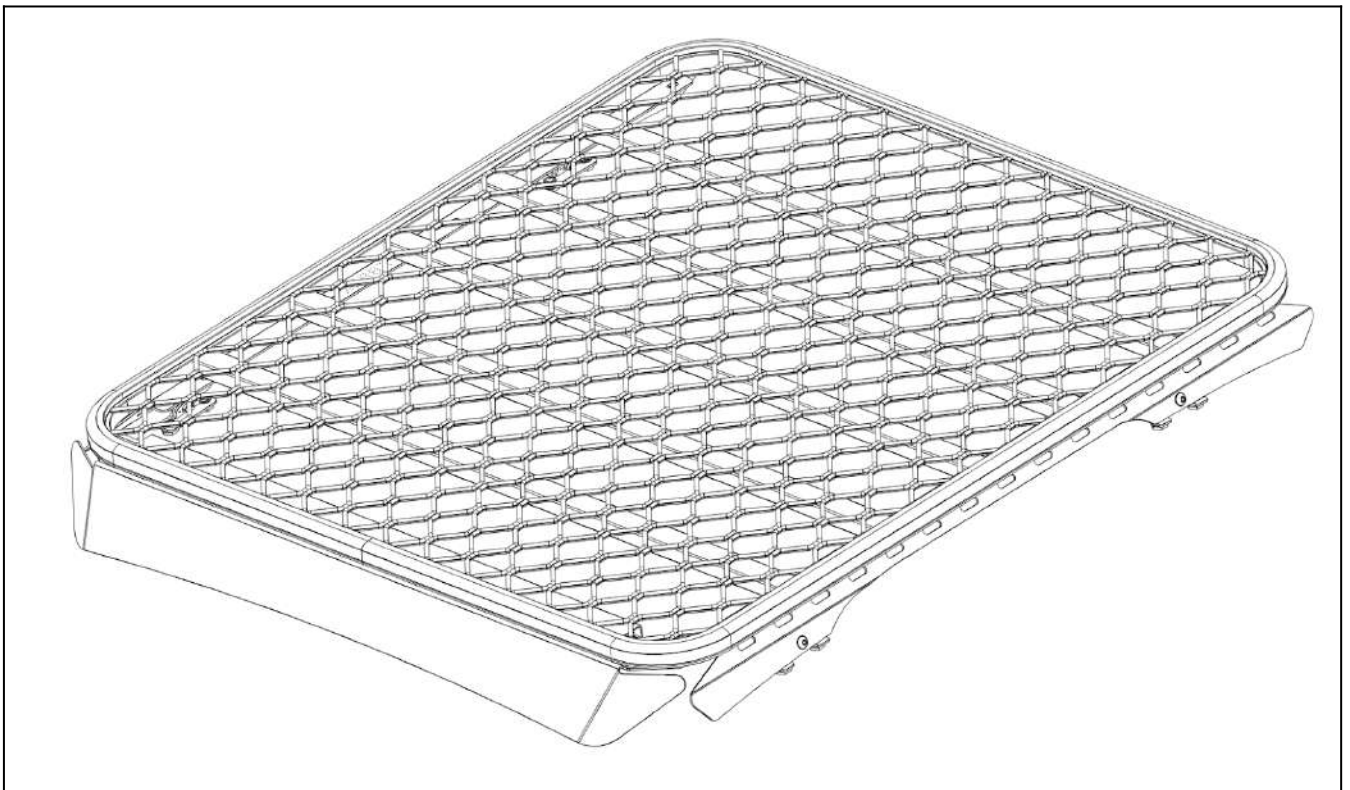


TOYOTA HILUX GEN8 DUAL CAB

Roof Rack(TLRAL14/FT/OE)

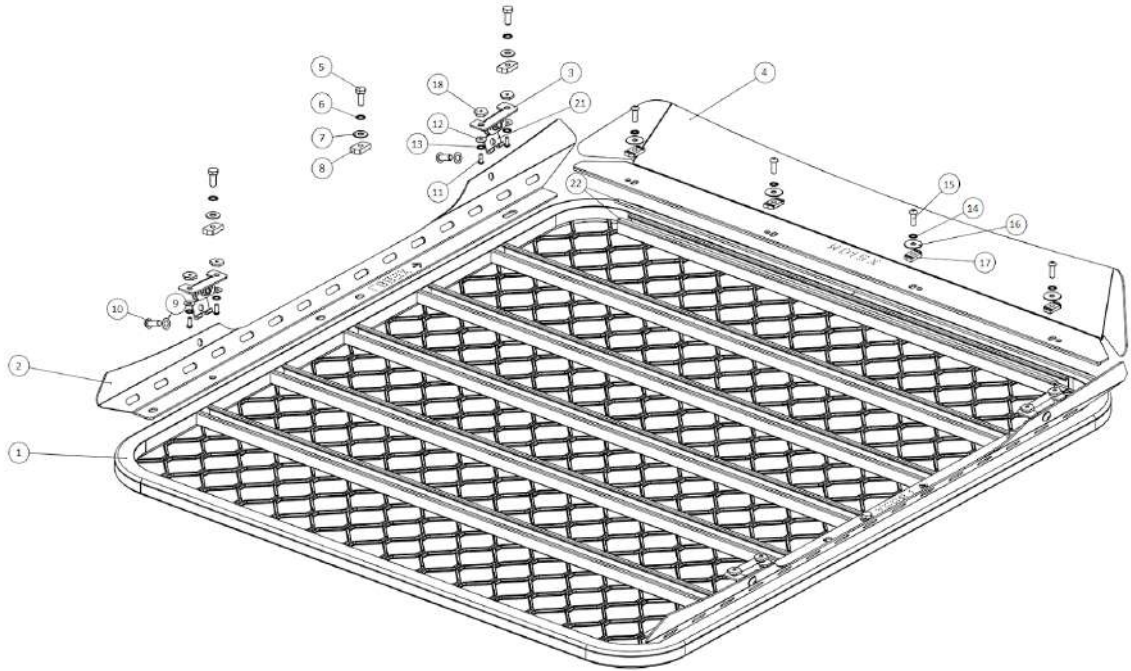
Wind Deflector(TLRWD15X)

TOUGH BAR(XLBKIT83-01)



Thank you for purchasing a TRACKLANDER 4WD ROOF RACK. Before you start, take a moment to familiarise yourself with the Fitting Instructions and the components received. Refer to the next section for a list of all the components, quantities and tools required.

What's inside the box






No	Item	Qty
*1	Roof Rack(TLRAL14/FT/OE)	1
2	Tough Bar X(Pair-XLB83)	1
3	X-Bracket Quick Fit (XAB83)	4
*4	Wind Deflector(TLRWD15X)	1
5	M10 x 25mm Hex Bolt, S/S	6
6	M10 Star Washer, S/S	6
7	$\frac{3}{8}$ x $1\frac{1}{4}$, Flat Washer S/S	6
8	M10 Strut Nut,	6
9	$\frac{3}{8}$ x $\frac{3}{4}$ Flat Washer, S/S	4
10	M10 x 25mm, Button Socket Head Screw, SS	4
11	M6 x 16mm, Button Socket Head Screw, SS	8
12	$\frac{1}{4}$ x $\frac{3}{4}$, Flat Washer, S/S	8
13	M6 Spring Washer, S/S	8



*14	M8 Star Washer, S/S	4
*15	M8 x 25mm Button Socket Head Screw, S/S	4
*16	$\frac{5}{16}$ x 1¼, Flat washer, S/S	4
*17	M8 Strut Nuts, Z/P	4
18	M6 Hex Brass Nut	8
#19	Pair Moulded Roof Tracks (8000321)	1
#20	Acoustic Foam Tape,(60x40x2.5mm)	4
21	Bracket Harness, (XAB40H)	4
#22	Acoustic Foam Tape, (1100mm, FS126-9)	2

Note: *1, *4, *14, *15, *16 & *17 are provide only for purchase of a complete kit
 #19, # 20 & #22 are not shown in the picture

Tools required
4mm Hexagon Wrench/Key, M6
5mm Hexagon Wrench/Key, M8
6mm Hexagon Wrench/Key, M10
Size 17mm Spanner
Measuring Tape
Silicon Sealant
Sikaflex-252

Recommended Torque Setting for fasteners	
M6	
M8	
M10	

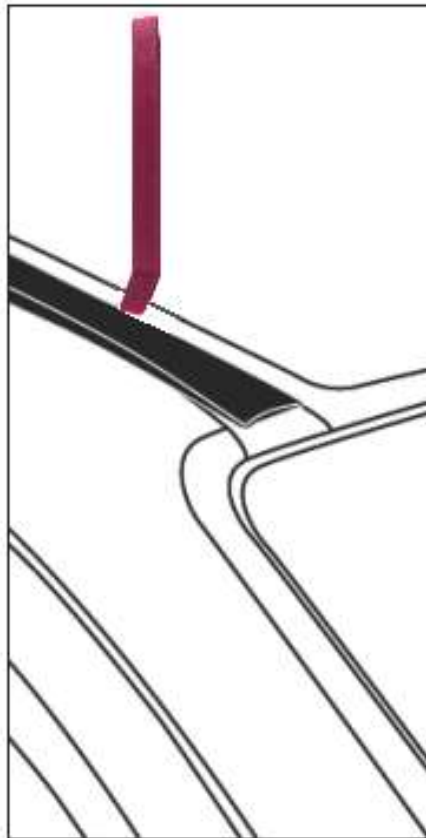
Step 1: Installation of Moulded Roof Tracks

Material Required:

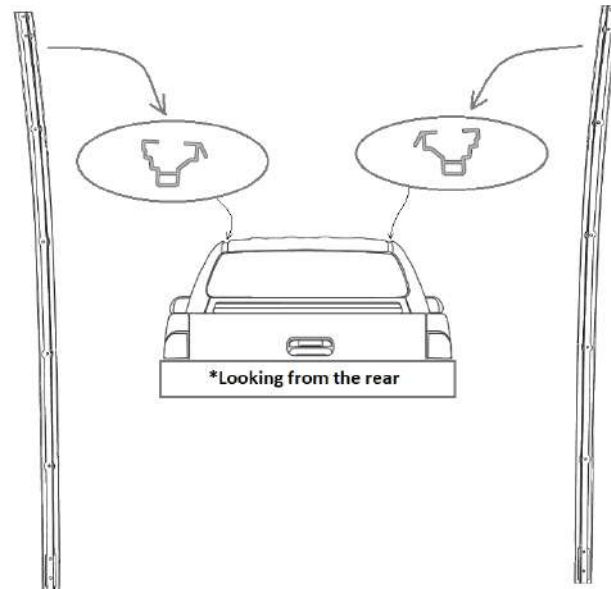
- Sikaflex 252 Adhesive Sealant
- Sika Remover-208
- Zinc Primer

A.

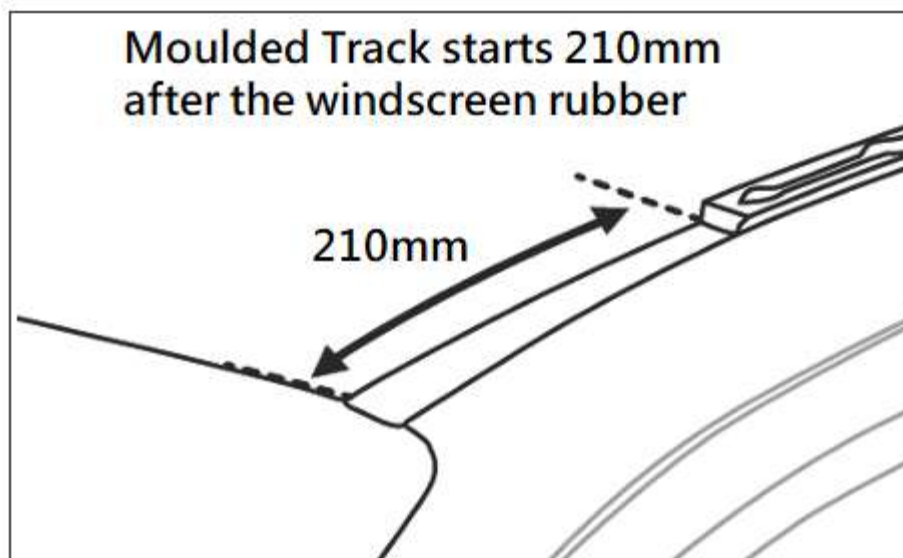
B. Peel off the Roof Trim using a plastic prying tool.



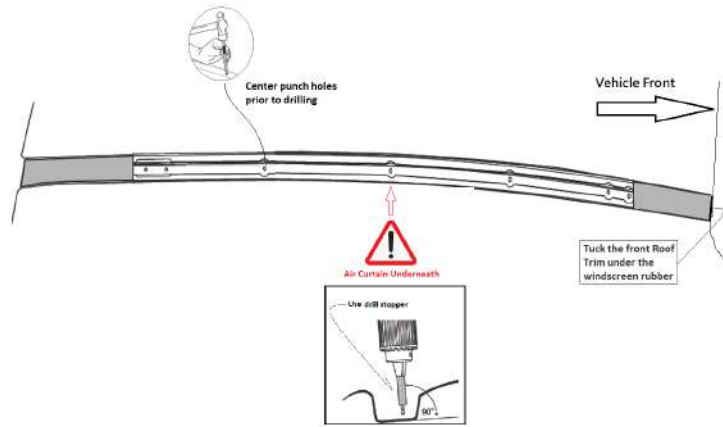
C. Place the Moulded Track onto the Roof Trim as shown below:



D. Position the moulded track on the roof trench and mark the rivet holes.



E. Remove the Moulded Track before drilling the marked holes per instruction below:



*Either have an assistant to hold down the Moulded Track or secure the Track into position using masking tape prior to drilling.
 **Use drill stopper for drilling at all times.
 *** Cut the Roof Trim according to the remaining roof trench length after installation of Moulded Track

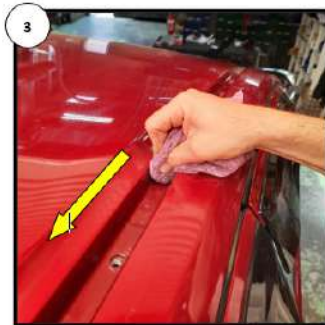
F. Performance the cleaning process per illustrated below:



- Mark and Drill holes
- Apply Zinc Primer to all drill holes.

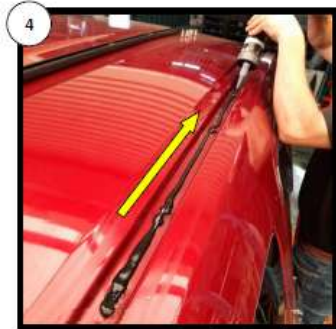


- Pour Sika Remover-208 (also used as a cleaner) on to a clean cloth or Paper Towel.



- Wipe the surface with the wetted cloth in one direction only.
- With a fresh side of the wetted cloth, wipe again to thoroughly clean the surface.
- **NOTE: Wipe the surface in the same direction both times, to remove all contaminants.**
- Before the solvent dries on the surface (evaporates), wipe it off with a clean, dry, lint-free paper towel.
- Repeat the last two steps, until no contaminants show up on the white paper towel.
- Tightly reseal container immediately after use.

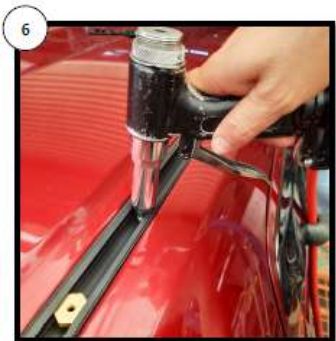
G. Mounting the Moulded Track



- Starting at one end, apply a thin bead of Sikaflex Sealant (approx. 5mm wide x 5mm high) along the whole length of track area.
- **NOTE:** Make sure Sikaflex, covers the drill holes.



- **NOTE:** Before Track is fitted make sure the bottom side of Track is clean. Remove any Foam Tape or Adhesive.
- Sikaflex must bond to hard and stable surfaces for maximum strength.
- Wipe the bottom side of the Track clean, with Sika Remover-208 (the same process as Step 3.)
- Place Track in position and fit Rivets to all holes.

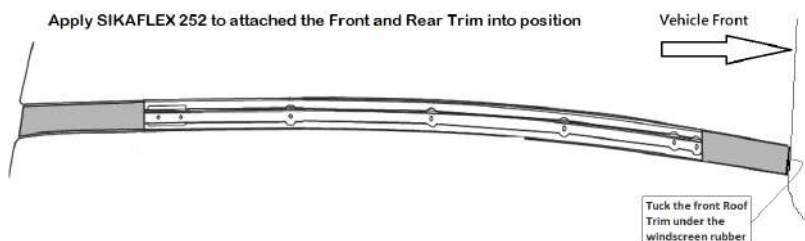


- Fit End Caps and Threaded Plates into Track.
- Fasten all Rivets, starting from the centre of Track and work your way towards each end.



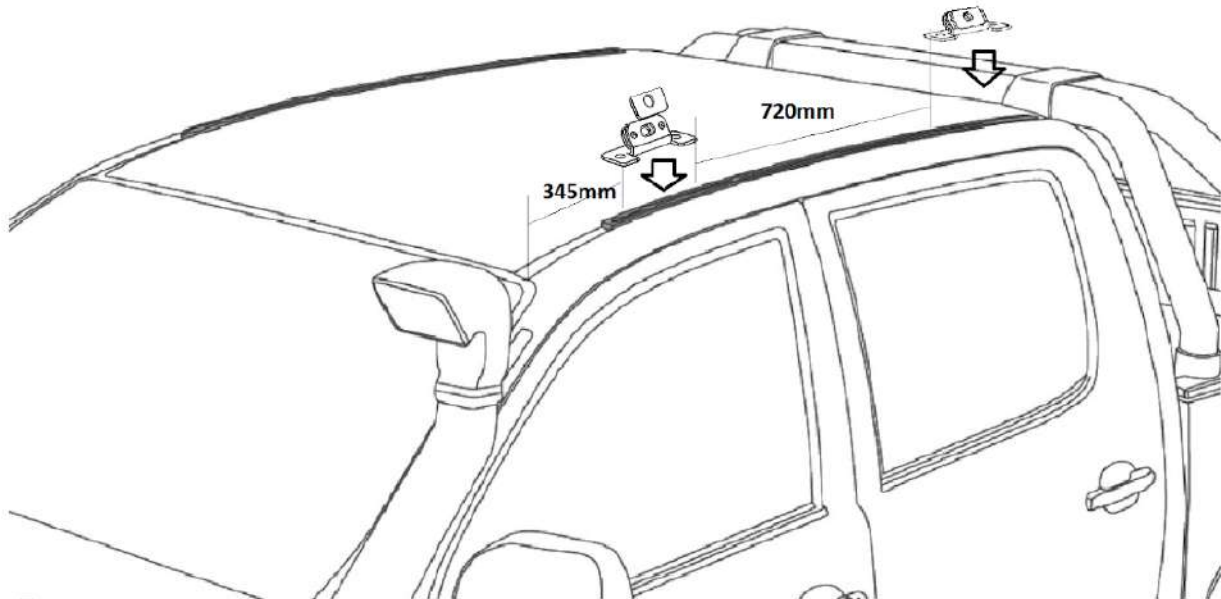
- Remove any excess Sikaflex Sealant with a Cloth or Paper Towel moistened with Sika Remover-208.
- Allow 48 Hours for 2mm thick Sikaflex at 23°C, to fully cure.
- Full Cure will take longer in cooler temperature.

H. Reattach the front and rear Roof Trim using Sikaflex 252 Adhesive Sealant .

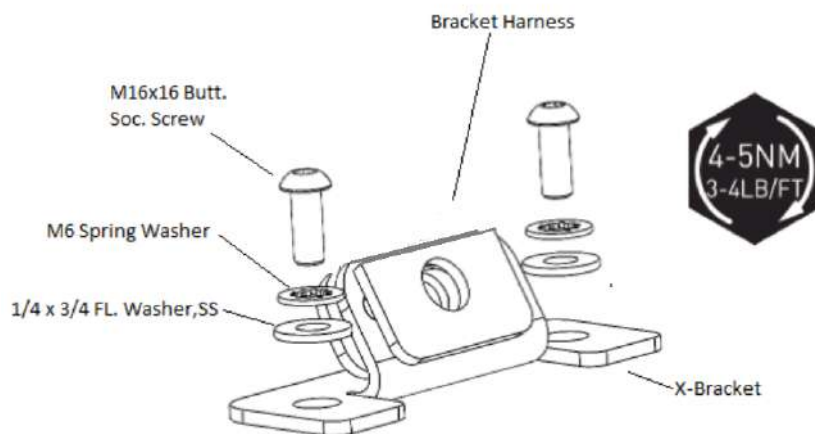


Step 2: Installation of X Brackets

- Setup the X-Bracket on the installed Moulded Track as per illustration below:



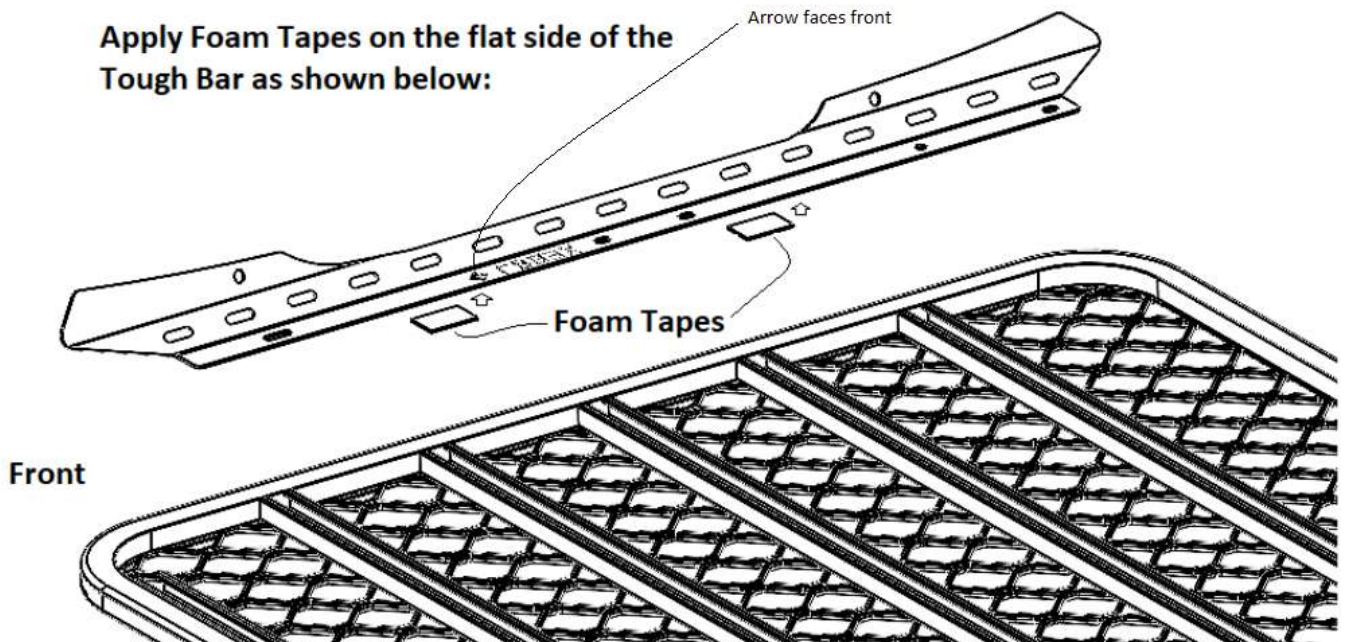
- Centralised the base of the X-bracket along the width of the Moulded Track.
- Secure the X-brackets in position with the fasteners provided and tighten to the prescribed torque.



- Repeat the same process for the driver side moulded track.

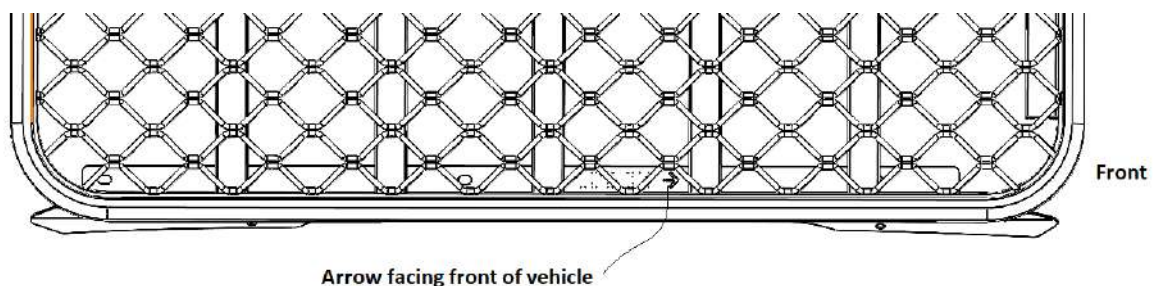
Step 3: SETTING UP TOUGH BAR ON ROOF-RACK

- Apply Foam Tape onto the flat surface of the Tough Bar corresponding to the 2nd and 4th cross members of the roof rack.

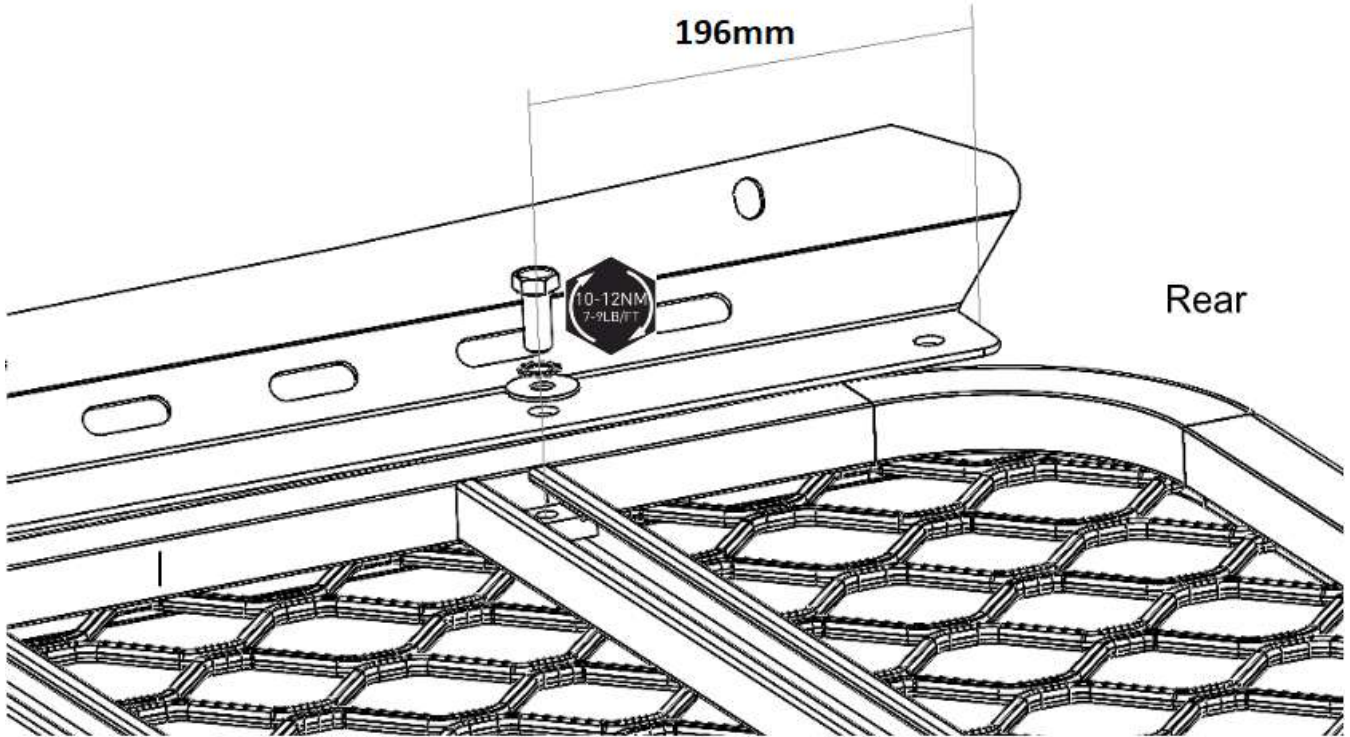


- With the TLRAL14/FT/OE Roof Rack upside down, position the flat surface of the Tough Bars on the underside of the Roof Rack as shown above.

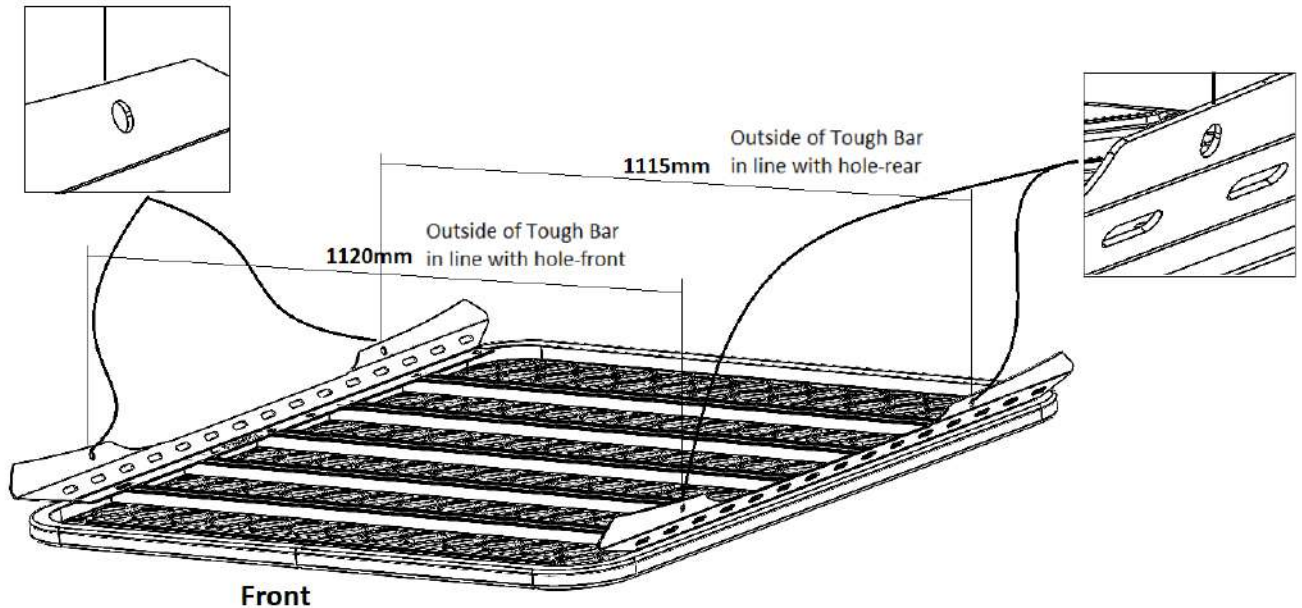
(Tips: Start by positioning the 2nd hole from the rear of the Tough Bar, onto the 1st Channel Cross Bar from the rear of the Roof Rack. The arrow on the Tough Bar must point toward the front of the vehicle)



- Install all the M10 Hex Bolts, M10 Star Washers, $\frac{3}{8}$ x1 washers and Strut Nuts to the prescribed locations on the Tough Bar. (Tips: Do not tighten until adjustment is completed)



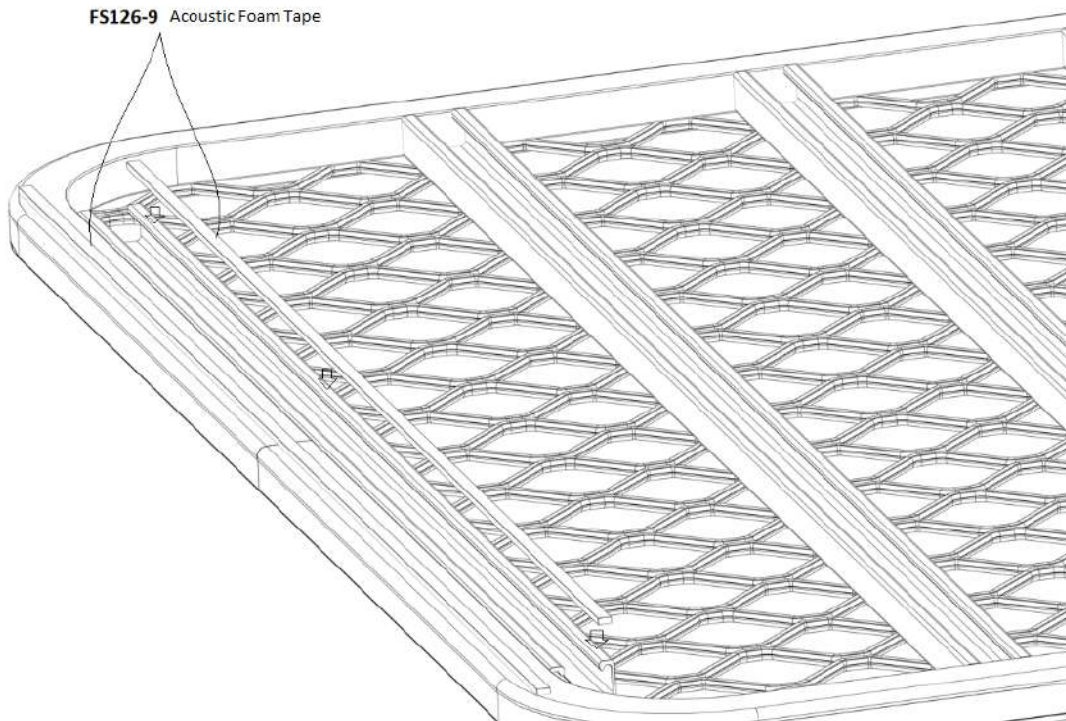
- Set the Overall Width at the front and rear mounting point as shown below:



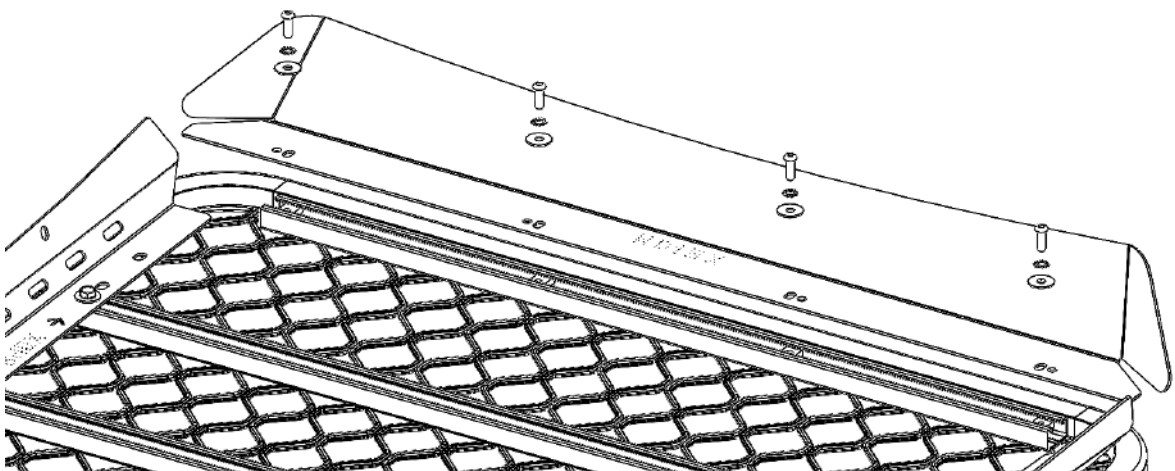
- Move the Tough Bars evenly both sides of the Centre Line to achieve **Overall Width distance at the front and rear most mounting position**. Tough Bars must be spaced evenly on both sides of Roof Rack. Once the Tough Bars are in position, tighten the M10 x 25 Hex to 10-12Nm (7-9lbs/ft)

Step 4: Installation of Wind-deflector(TLRWD15X)

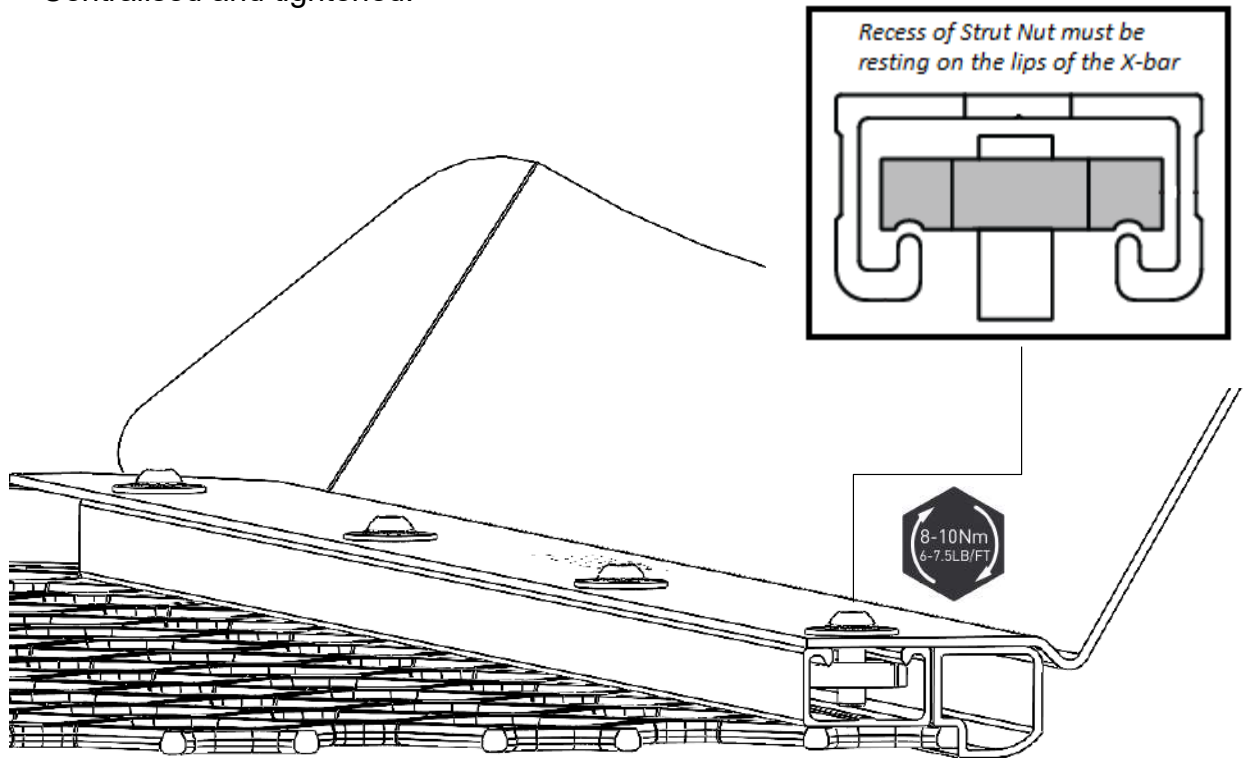
- Apply Acoustic Foam Tape on to the Roof Rack Frontal Area



- Secure the Wind-deflector onto the front of the rack as per the illustration shown below:



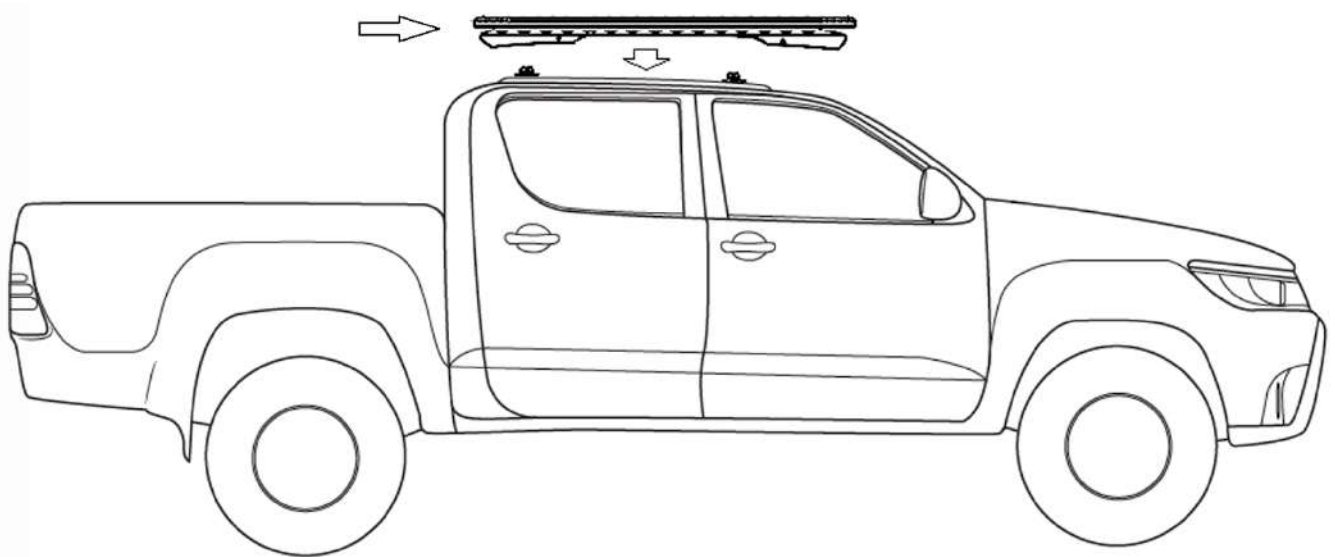
- Centralised and tightened.



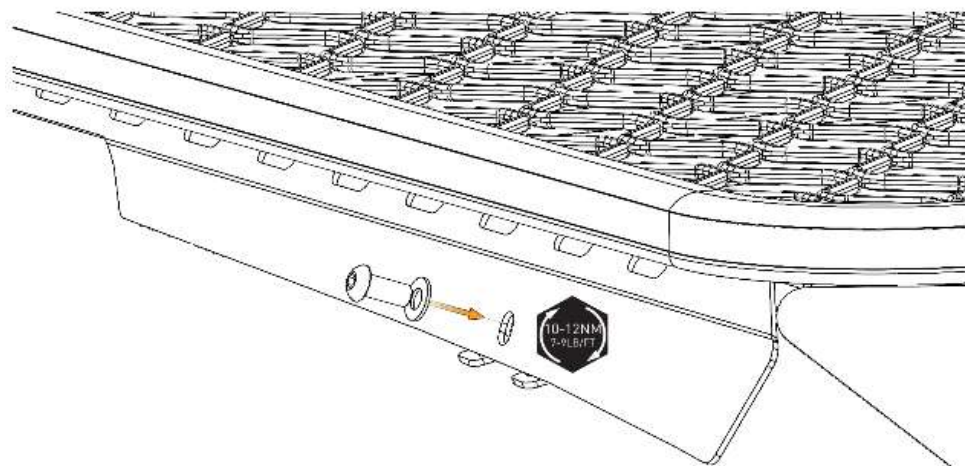
Step 5: Installation of Roof-rack assembly

A. Attach the Roof-rack assembly onto the X Bracket

- With a person either side of the Roof Rack, carry the Roof Rack over the rear of the vehicle and rest the Tough Bar gently over the X Brackets and align the hole centres.



- Fit the M10x25 Button Cap Socket Screw with $\frac{3}{8}$ x $\frac{3}{4}$ Flat Washer through the holes and tighten to 10-12Nm (7-9lbs/ft)



- Check to ensure that all fasteners are fully secured.
- The installation is now completed and ready to be used.

SAFETY

- Cargo must be secured firmly onto the Roof Rack during operation at all times.
- Frequently check the tightness of cargo on the Roof Rack, especially when travelling over rough terrain or off-road
- Use only non-stretchable fastening ropes or straps to attach cargo onto the Roof Rack.
- Extreme care must be taken in off road conditions.

MAINTENANCE

- All bolted connections should be checked after driving a short distance when you first install your roof racks
- All bolted connections should be checked at regular intervals, depending on road conditions, usage, loads and distances travelled
- All bolted connections should be checked each time they are re-fitted.



IMPORTANT WARNING!

IT IS CRITICAL THAT ALL TRACKLANDER 4WD ROOF RACK PRODUCTS BE PROPERLY AND SECURELY ASSEMBLED AND ATTACHED TO YOUR VEHICLE. IMPROPER ATTACHMENT COULD RESULT IN AN VEHICLE ACCIDENT, AND COULD CAUSE SERIOUS BODILY INJURY OR DEATH. YOU ARE RESPONSIBLE FOR ASSEMBLING AND SECURING ALL TRACKLANDER 4WD ROOF RACK PRODUCTS TO YOUR VEHICLE, CHECKING THE ATTACHMENTS PRIOR TO USE, AND PERIODICALLY INSPECTING THE PRODUCTS FOR ADJUSTMENT, WEAR AND TEAR. THEREFORE, YOU MUST READ AND UNDERSTAND ALL OF THE INSTRUCTIONS AND PRECAUTIONS SUPPLIED WITH YOUR TRACKLANDER 4WD ROOF RACK AND ACCESSORIES PRIOR TO INSTALLATION OR USE. IF YOU DO NOT UNDERSTAND ALL OF THE INSTRUCTIONS AND WARNINGS, OR IF YOU HAVE NO MECHANICAL EXPERIENCE AND ARE NOT THOROUGHLY FAMILIAR WITH THE INSTALLATION PROCEDURES, YOU SHOULD HAVE THE PRODUCT INSTALLED BY A PROFESSIONAL INSTALLER OR OTHER QUALIFIED PERSON.

NOTE: TRACKLANDER 4WD ROOF RACKS will not be responsible for any damage caused by the failure to install the product according to these instructions. Please call us if you have any questions about the installation of this product.

TRACKLANDER 4WD ROOF RACKS

**T : (08) 9451 0700 E :sales@tracklander.com.au W :tracklander.com.au
A:12 Railway Parade, Welshpool, WA 6106
OPEN 8.00AM - 5.00PM MON-FRI**