

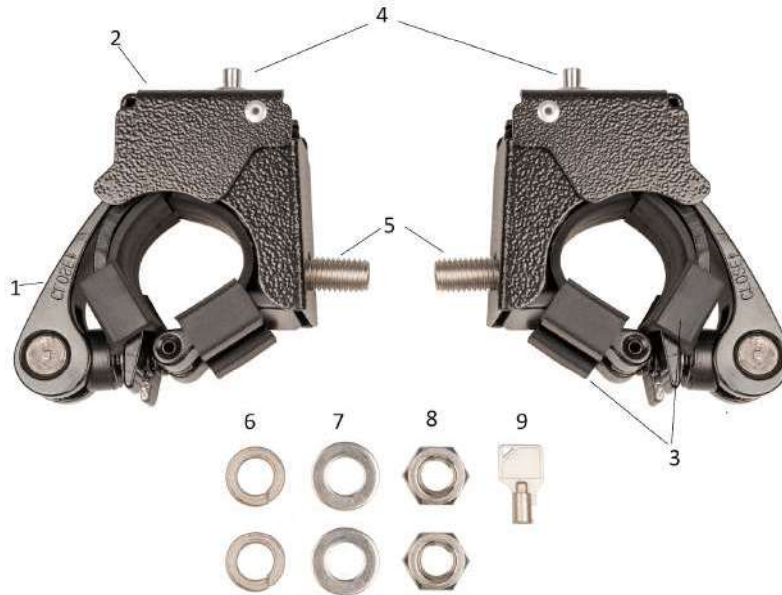
## TLRUC

### Fitting Instructions



Thank you for purchasing TRACKLANDER 4WD ROOF RACK ACCESSORY. Before you start, take a moment to familiarise yourself with the Fitting Instructions and the components received. Refer to the next section for a list of all the components, quantities and tools required.

## What's inside the box



No	Description	Qty
1	Quick Release Clamp	2 Pcs
2	Clamp Security Cover	2 Pcs
3	Protective Rubber Pad	4 Pcs
4	Mini Cam Lock	2 Pcs
5	M10 x 25mm Bolt	2 Pcs
6	M10 Spring Washer	2 Pcs
7	M10 Flat Washer	2 Pcs
8	M10 Nut	2 Pcs
9	Key	2 Pcs

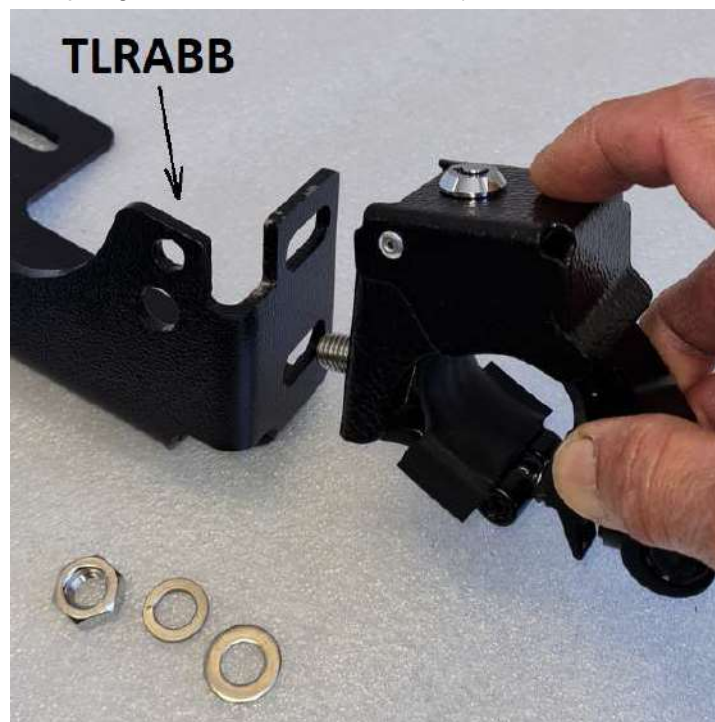
\*TLRRTA works in tandem with TLRABB to function properly (Each sold separately)

## 1. Suggested uses of the TLRUC (Universal Clamp)

- Option 1: Direct mount to TLRABB(Sold separately) for carrying long slender items. (e.g. Shovel, Paddles, Windsurfer Mast, etc. Works with items of diameter ranging from  $\varnothing 32\text{mm}$  to  $\varnothing 40\text{mm}$ )



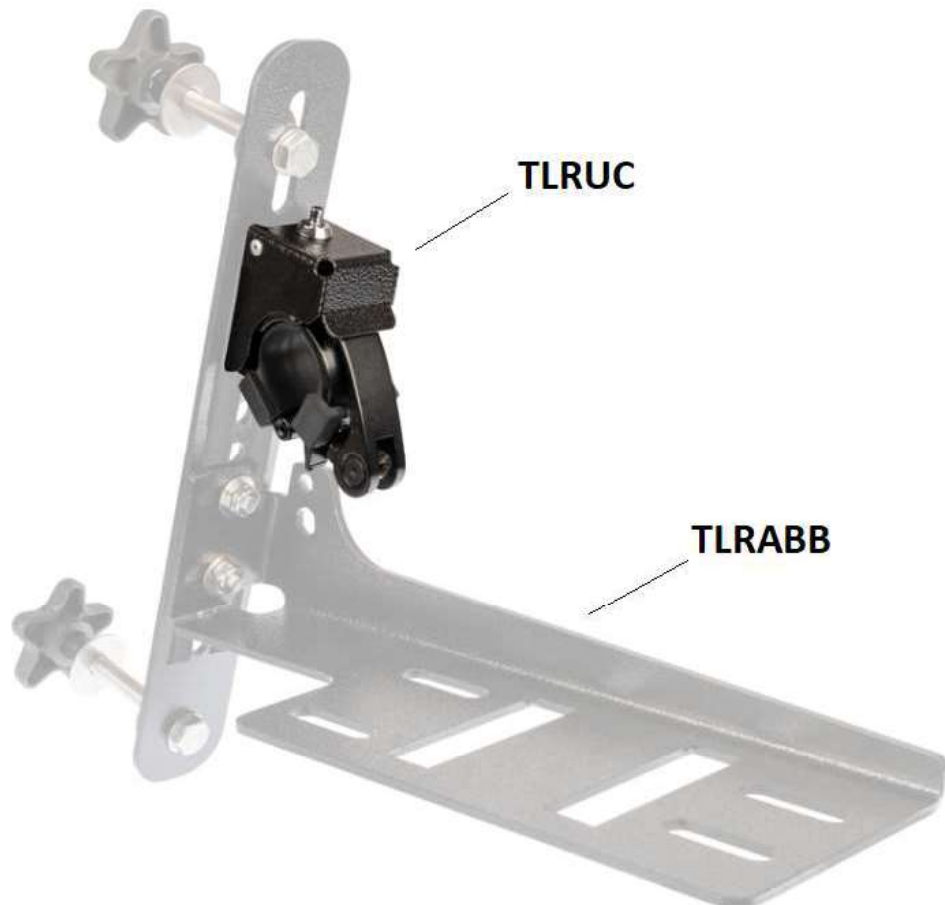
- Simply fits the TLRUC into the bottom slotted hole of the TLRABB and secure with the fasteners provided (M10 nut, Spring Washer and Flat Washer)



- Option 2: Use as Vehicle Recovery Combo Kit (Recovery Tracks with long Shovel)  
\*TLRABB + TLRRTA are needed for this application ( Each sold separately)



- Simply attached the TLRUC into a suitable hole on the back of the TLRRTA as shown on the picture below:



## 2. Operations of TLRUC

- The TLRUC is designed to hold a shaft with outer diameter ranging from 32mm to 40mm.
- To adjust the clamp for a smaller diameter shaft, rotate the clamp lever clockwise to the required diameter.



- For max. clamping diameter, removes the pair of Protective Rubber Paddings.



- Turn the clamp lever anti-clockwise to the required diameter.



- Close the Clamp Level to establish a positive grip between the payload and the clamp as shown below:



- Depress the button of the mini cam lock to lock the security cover:



## SAFETY

- All accessories and brackets must be secured firmly onto the Roof Rack at all times.
- Frequently check the tightness of accessories and brackets on the Roof Rack especially after going through off-road terrain.
- Do not attempt to attach products that are not intended for the design.

## MAINTENANCE

- All bolted connections should be checked at regular intervals
- All bolted connections should be checked each time they are re-fitted.



**IMPORTANT WARNING!**

IT IS CRITICAL THAT ALL TRACKLANDER 4WD ROOF RACK PRODUCTS BE PROPERLY AND SECURELY ASSEMBLED AND ATTACHED TO YOUR VEHICLE. IMPROPER ATTACHMENT COULD RESULT IN AN VEHICLE ACCIDENT, AND COULD CAUSE SERIOUS BODILY INJURY OR DEATH. YOU ARE RESPONSIBLE FOR ASSEMBLING AND SECURING ALL TRACKLANDER 4WD ROOF RACK PRODUCTS TO YOUR VEHICLE, CHECKING THE ATTACHMENTS PRIOR TO USE, AND PERIODICALLY INSPECTING THE PRODUCTS FOR ADJUSTMENT, WEAR AND TEAR. THEREFORE, YOU MUST READ AND UNDERSTAND ALL OF THE INSTRUCTIONS AND PRECAUTIONS SUPPLIED WITH YOUR TRACKLANDER 4WD ROOF RACK AND ACCESSORIES PRIOR TO INSTALLATION OR USE. IF YOU DO NOT UNDERSTAND ALL OF THE INSTRUCTIONS AND WARNINGS, OR IF YOU HAVE NO MECHANICAL EXPERIENCE AND ARE NOT THOROUGHLY FAMILIAR WITH THE INSTALLATION PROCEDURES, YOU SHOULD HAVE THE PRODUCT INSTALLED BY A PROFESSIONAL INSTALLER OR OTHER QUALIFIED PERSON.

NOTE: TRACKLANDER 4WD ROOF RACKS will not be responsible for any damage caused by the failure to install the product according to these instructions. Please call us if you have any questions about the installation of this product.

**TRACKLANDER 4WD ROOF RACKS**

**T : (08) 9451 0700 E :[sales@tracklander.com.au](mailto:sales@tracklander.com.au) W :[tracklander.com.au](http://tracklander.com.au)  
A:12 Railway Parade, Welshpool, WA 6106  
OPEN 8.00AM - 5.00PM MON-FRI**