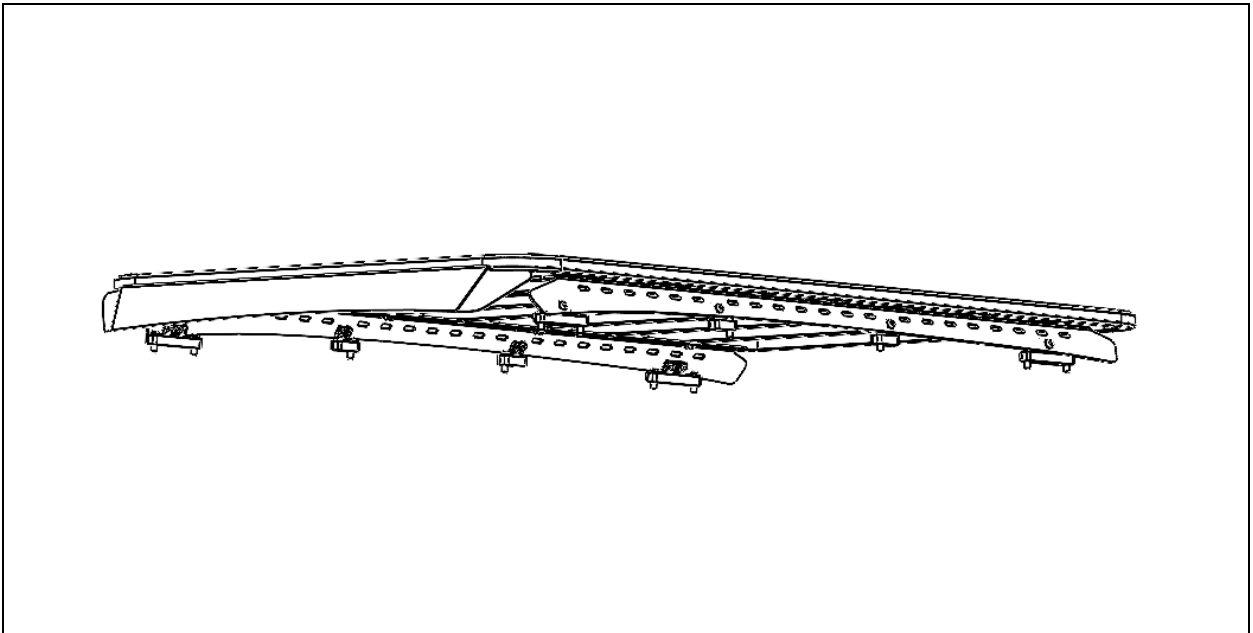


## TLRXLBKIT144-03

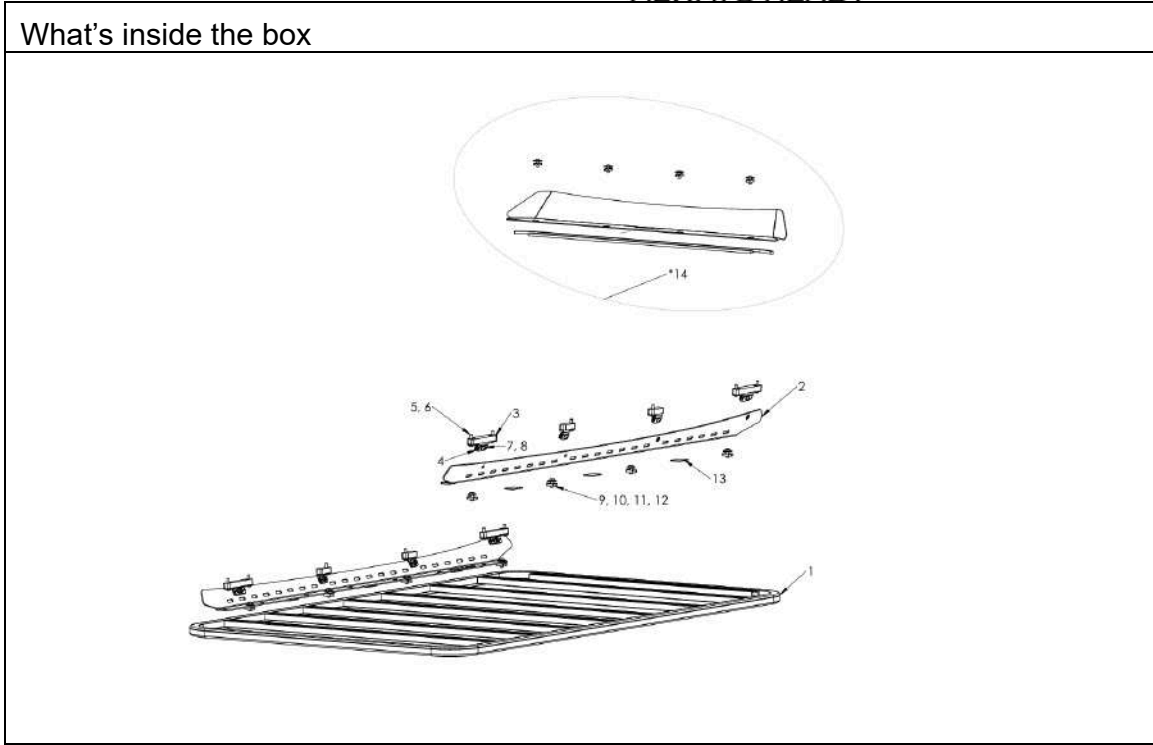
(Toughbar for ISUZU MUX GEN2)

Roof Rack(TLRAL22FT)

Wind Deflector(TLRWD14X)



Thank you for purchasing a TRACKLANDER 4WD ROOF RACK. Before you start, take a moment to familiarise yourself with the Fitting Instructions and the components received. Refer to the next section for a list of all the components, quantities and tools required.



BOM		
No	Item	Qty
1	Mesh Rack TLRAL22FT/OE	1
2	Tough Bar,XLB144 (Pair)	1
3	HDPE Block(8 pc set)	1
4	X Brackets (8 pc set, Acoustic Foam Affixed)	1
X Bracket Fastener Kit		
5	M8 x 45 Button Cap Socket Head Screw	12
6	$\frac{5}{16} \times \frac{3}{4}$ SS Flat Washer	12
7	M10 x 25 Button Cap Socket Head Screw, SS	8
8	$\frac{3}{8} \times \frac{3}{4}$ Flat Washer, SS	8
Tough Bar Fastener Kit		
9	M10 x 25 Hex Bolt, SS	8+4
10	M10 Inner Star Washer	8+4
11	$\frac{3}{8} \times 1$ Flat Washer, SS	8+4
12	M10 Strut Nut	8+4
Acoustic Foam Tape		
13	60 x 40 x 3 Acoustic Foam Tape	6



*14	Wind Deflector Kit, WD15X	1
Wind Deflector Fastener Kit		
	M8 x 25 Button Cap Socket Head Screw, SS	4
	M8 Inner Star Washer	4
	$\frac{5}{16} \times \frac{1}{4}$ SS Flat Washer	4
	M8 Strut Nut	4
Acoustic Foam Tape		
	Acoustic Foam Tape, (1100, FS126-9), Affix underneath the front cross member of the roof rack	2

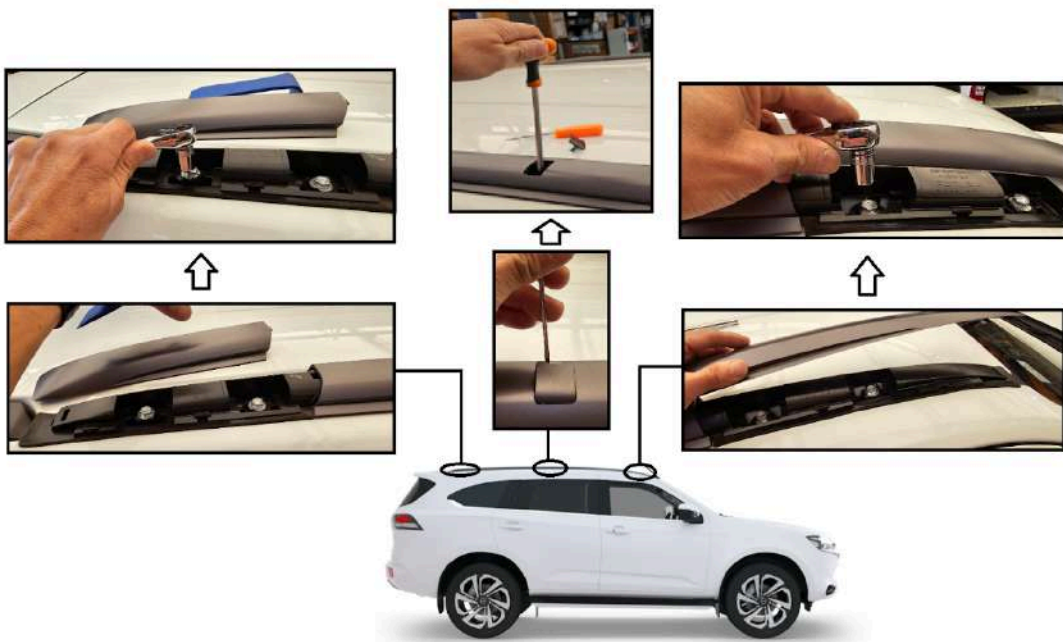
\*14: Purchased separately

<b>Tools required</b>
5mm Hexagon Wrench/Key, M8
6mm Hexagon Wrench/Key, M10
Size 12mm Socket for M8 Hex Bolt
Size 17mm Spanner for M10 Hex Bolt
Measuring Tape
FulaSeal 780

Recommended Torque Setting for fasteners	
M6	
M8	
M10	

## Step 1: Setting up of X-brackets onto the roof rack

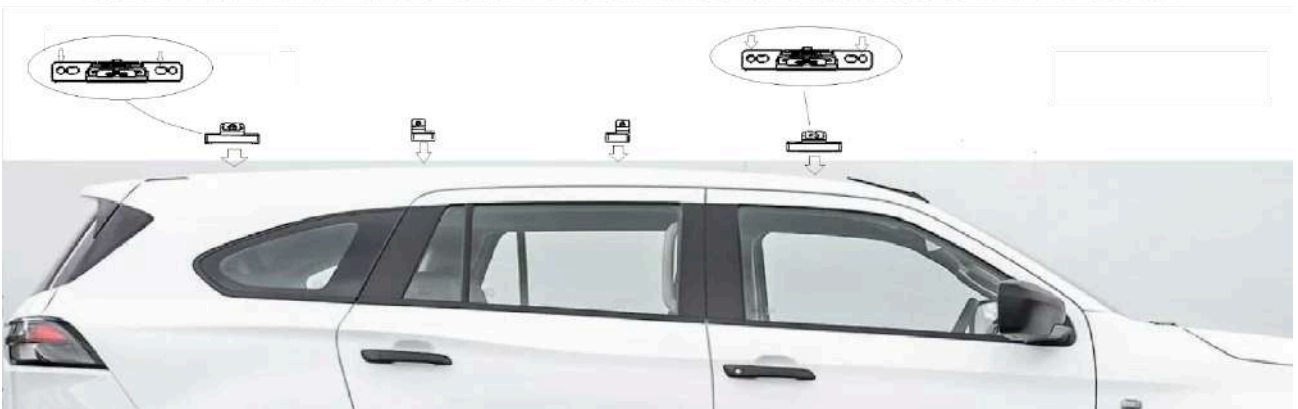
- Remove the covers of the factory fitted rail with a pry tool and loosen all the 5 fasteners on each side of the rails.



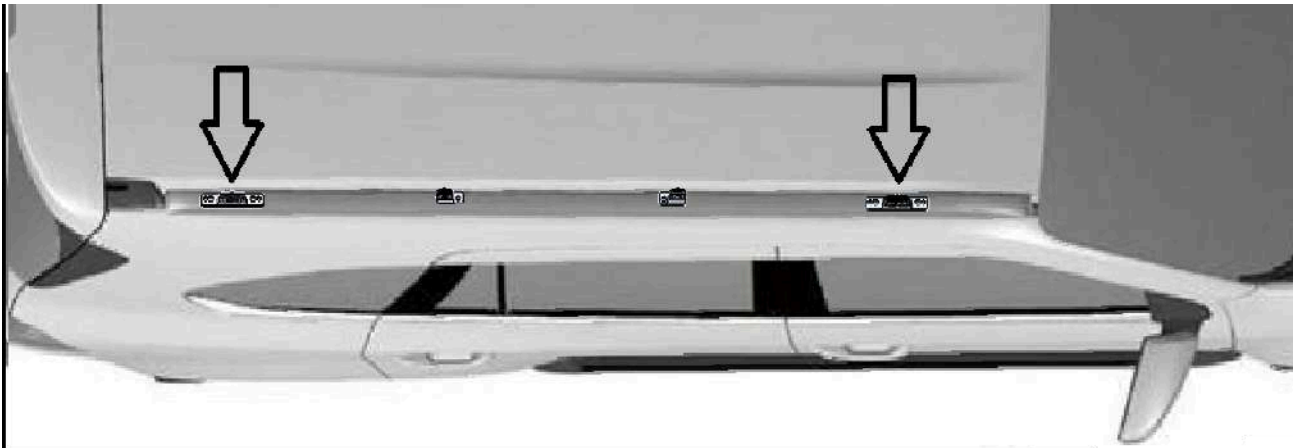


- Clean the ditches on the vehicle's roof prior to the installation of the X-brackets.
- Align the spacer blocks with the mounting holes found on the ditches of the vehicle's roof.
- Place the X-brackets on top of the respective spacer blocks
- Apply FulaSeal780 sparingly around the threads of the M8x 45mm button cap socket head screws before tightening the X-brackets lightly into position. (Remember to insert the 5/16x3/4 flat washer)

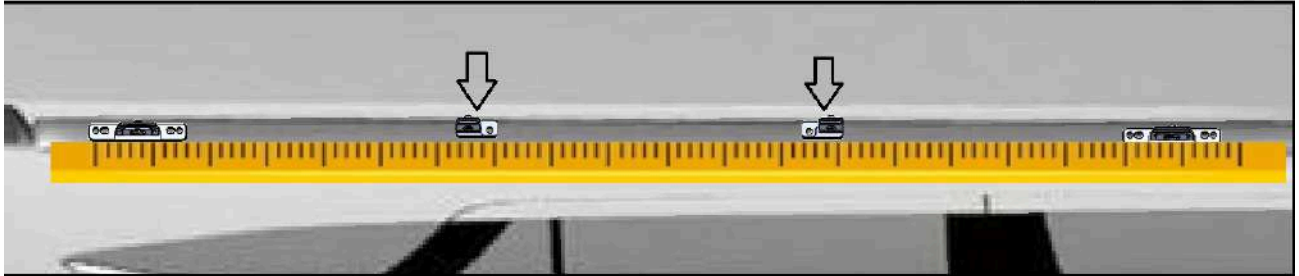
Note for the location of the mounting holes on the bracket to be used at the respective position on the vehicle's roof.



- Proceed to setup the position of the X-brackets



**Step I : Push the front and rear X-bracket away from the centre of the vehicle.**



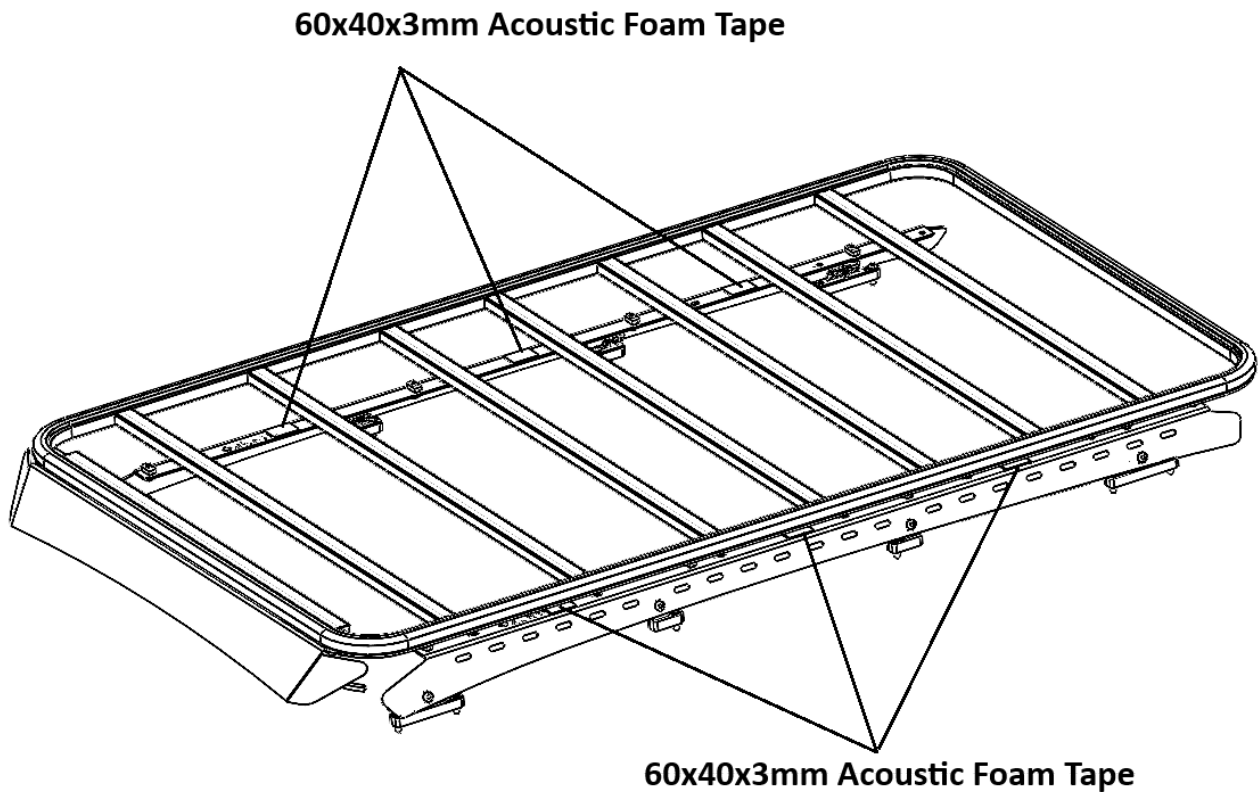
**Step II: Position a straight edge against the standing face of the front and rear X-brackets. Push the 2 middle X-brackets toward straight edge and make sure that all the X-brackets are in a straight line.**

**\*The mounting holes of the middle brackets must face toward each other.**

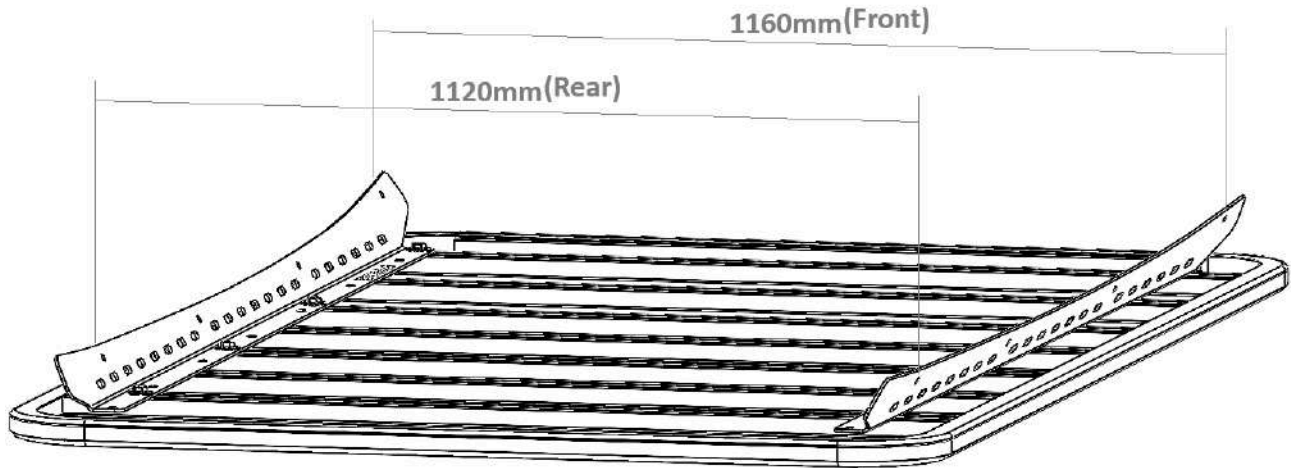
**Step III: Secure all the fasteners to maximum of 10Nm torque.**

## Step 2: Setting up Tough Bar onto Roof Rack

- Affix the 60x40x3mm acoustic foam tape on the top of the Toughbar as shown:



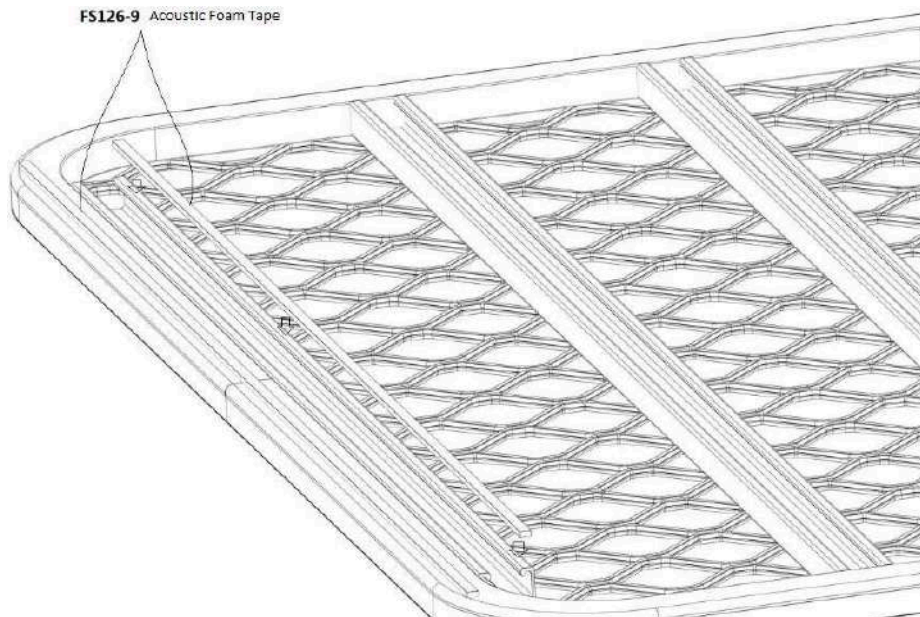
- Adjust the Toughbar lateral spacing per illustrated below:



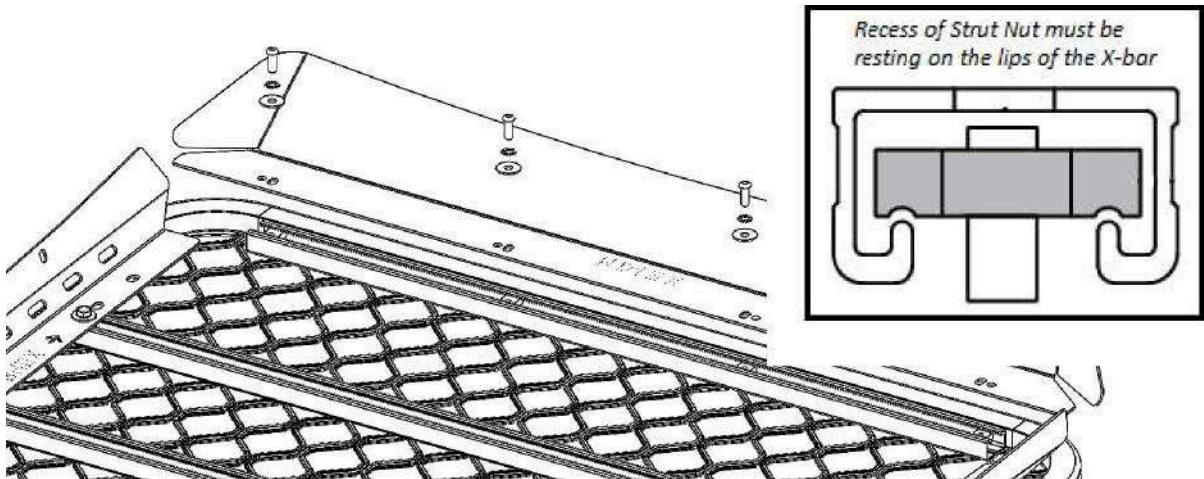
- Tighten all the fasteners once the desirable distances are achieved.

## Step 2: Install the Wind Deflector (WD14X)

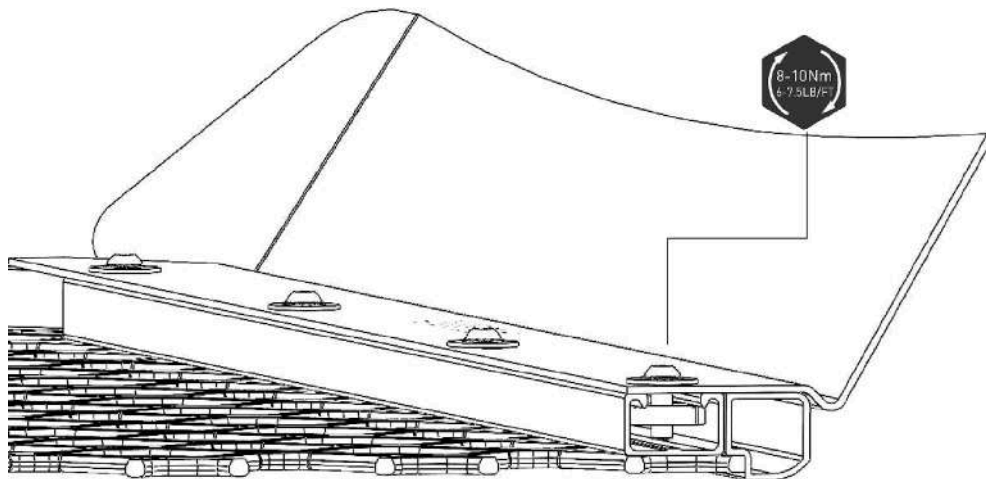
- Apply Acoustic Foam Tape on to the Roof Rack Frontal Area



- Secure the Wind-deflector onto the front of the rack as per the illustration shown below:



- Centralise and tighten.



\*Wind Deflector fitted to the front channel.

## Step3: Installation of Roof-rack assembly onto the vehicle

- With 2 people either side of the Roof Rack, carry the Roof Rack over the rear of the vehicle and rest the Tough Bar gently over the X-Brackets that you have installed on the vehicle's roof earlier.



- Secure the Roof Rack Assembly with the M10x25mm Button Cap Socket Screws and  $\frac{3}{8} \times \frac{3}{4}$  Flat Washers.
- Check to ensure that all fasteners are fully secured.
- The installation is now completed and ready to be used.

## SAFETY

- Cargo must be secured firmly onto the Roof Rack during operation at all times.
- Frequently check the tightness of cargo on the Roof Rack, especially when travelling over rough terrain or off-road
  - » Use only non-stretchable fastening ropes or straps to attach cargo onto the Roof Rack.
- Extreme care must be taken in off road conditions.

## MAINTENANCE

- All bolted connections should be checked after driving a short distance when you first install your roof racks
- All bolted connections should be checked at regular intervals, depending on road conditions, usage, loads and distances travelled
- All bolted connections should be checked each time they are re-fitted.



**IMPORTANT WARNING!**

IT IS CRITICAL THAT ALL TRACKLANDER 4WD ROOF RACK PRODUCTS BE PROPERLY AND SECURELY ASSEMBLED AND ATTACHED TO YOUR VEHICLE. IMPROPER ATTACHMENT COULD RESULT IN AN VEHICLE ACCIDENT, AND COULD CAUSE SERIOUS BODILY INJURY OR DEATH. YOU ARE RESPONSIBLE FOR ASSEMBLING AND SECURING ALL TRACKLANDER 4WD ROOF RACK PRODUCTS TO YOUR VEHICLE, CHECKING THE ATTACHMENTS PRIOR TO USE, AND PERIODICALLY INSPECTING THE PRODUCTS FOR ADJUSTMENT, WEAR AND TEAR. THEREFORE, YOU MUST READ AND UNDERSTAND ALL OF THE INSTRUCTIONS AND PRECAUTIONS SUPPLIED WITH YOUR TRACKLANDER 4WD ROOF RACK AND ACCESSORIES PRIOR TO INSTALLATION OR USE. IF YOU DO NOT UNDERSTAND ALL OF THE INSTRUCTIONS AND WARNINGS, OR IF YOU HAVE NO MECHANICAL EXPERIENCE AND ARE NOT THOROUGHLY FAMILIAR WITH THE INSTALLATION PROCEDURES, YOU SHOULD HAVE THE PRODUCT INSTALLED BY A PROFESSIONAL INSTALLER OR OTHER QUALIFIED PERSON.

NOTE: TRACKLANDER 4WD ROOF RACKS will not be responsible for any damage caused by the failure to install the product according to these instructions. Please call us if you have any questions about the installation of this product.

**TRACKLANDER 4WD ROOF RACKS**

T : (08) 9451 0700 E :[sales@tracklander.com.au](mailto:sales@tracklander.com.au) W :[tracklander.com.au](http://tracklander.com.au)  
A:12 Railway Parade, Welshpool, WA 6106  
OPEN 8.00AM - 5.00PM MON-FRI