



ISUZU DMAX (Gen 3)

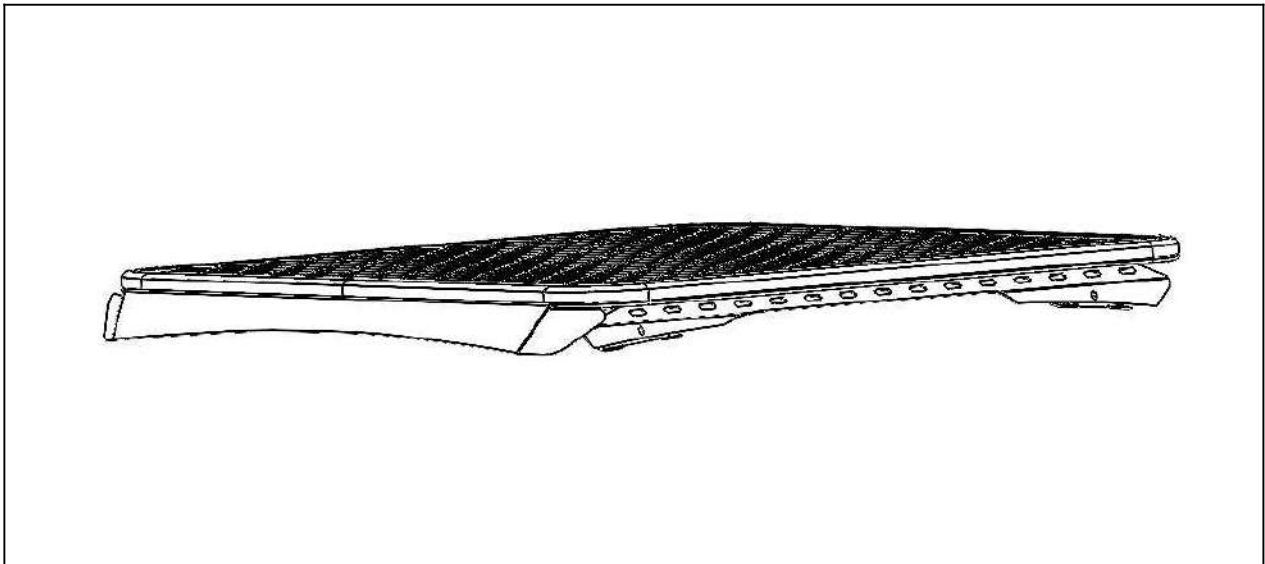
MAZDA BT50

(Suits Bare Roof or Flush Rail Variant)

Roof Rack(TLRAL14/FT/OE)

Wind Deflector(TLRWD13X)

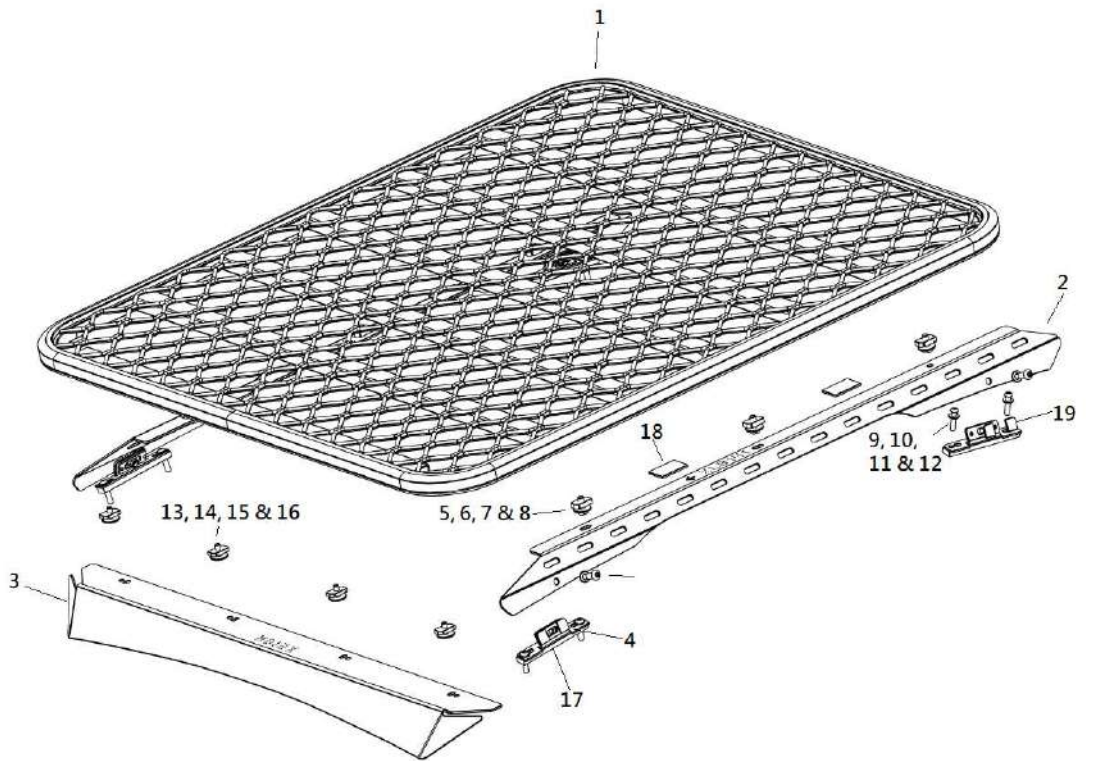
TOUGH BAR(XLBKIT141-01)



Thank you for purchasing a TRACKLANDER 4WD ROOF RACK. Before you start, take a moment to familiarise yourself with the Fitting Instructions and the components received. Refer to the next section for a list of all the components, quantities and tools required.

Note: *13 will be supplied as a complete Wind Deflector Kit.

What's inside the box



No	Item	Qty
*1	Roof Rack(TLRAL14/FT/OE)	1
2	Tough Bar X(Pair-XLB141)	1
*3	Wind Deflector Kit (TLRWD13X)	1
4	X Bracket Quickfit (XAB141-8)	4
Fastener Kit for Tough Bar		
5	M10 x 25mm Hex Bolt, S/S	6

6	M10 Star Washer, S/S	6
7	$\frac{3}{8}$ x $1\frac{1}{4}$, Flat washer, S/S	6
8	M10 Strut Nut,	6
Fastener Kit for X Bracket		
9	M8 x 40mm, Button Cap Socket Head Screw, S/S	8
10	$\frac{5}{16}$ x $\frac{3}{4}$, Flat Washer, S/S	8
11	M10 x 25mm, Button Cap Socket Head Screw, S/S	4
12	$\frac{3}{8}$ x $\frac{3}{4}$, Flat Washer, S/S	4
Fastener Kit for Wind Deflector		
13	M8 Star Washer, S/S	4
14	M8 x 25mm Button Socket Head Screw, S/S	4
15	$\frac{5}{16}$ x $1\frac{1}{4}$, Flat washer, S/S	4
16	M8 Strut Nuts, Z/P	4
MISC		
17	HDPE Black Spacer Block(160x20x10mm)	4
Foam Pack		
18	Acoustic Foam Tape(60x40x3mm)	4
19	Bracket Foam Pad (20x24x3mm), 2 per bracket	8
20	Acoustic Foam Tape, (1100, FS126-9)	2

Note: *1, *3, 12, 13, 14, 15 & 19 are provide only for purchase of a complete kit
 20 are not shown in the picture
 17 are only used on variant with factory fitted rail



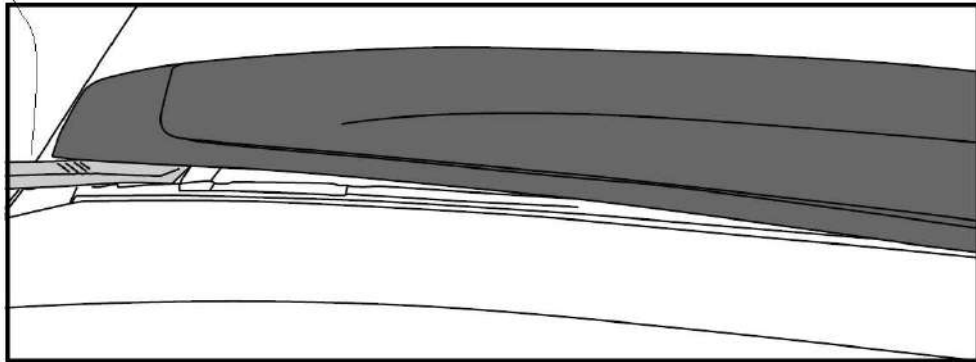
Tools required
5mm Hexagon Wrench/Key, M8
6mm Hexagon Wrench/Key, M10
Size 17mm Spanner
Measuring Tape
FulaSeal 780 Silicon

Recommended Torque Setting for fasteners	
M8	
M10	

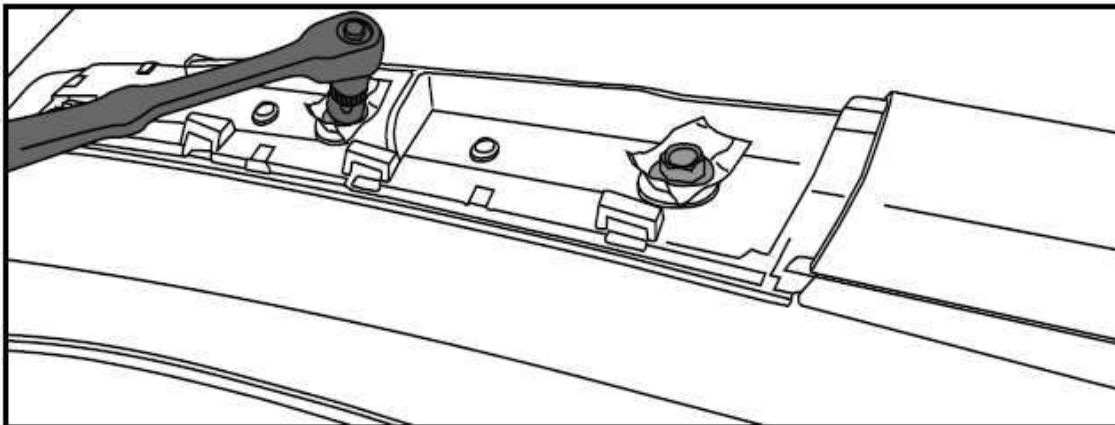
Step 1: Removal of Factory Fitted Rail

Type I: Variant with flush rail

- Use a pry tool to remove all the rail cover.



- Remove all bolts on the rails with a 12mm socket before removing the rail from the vehicle's roof.

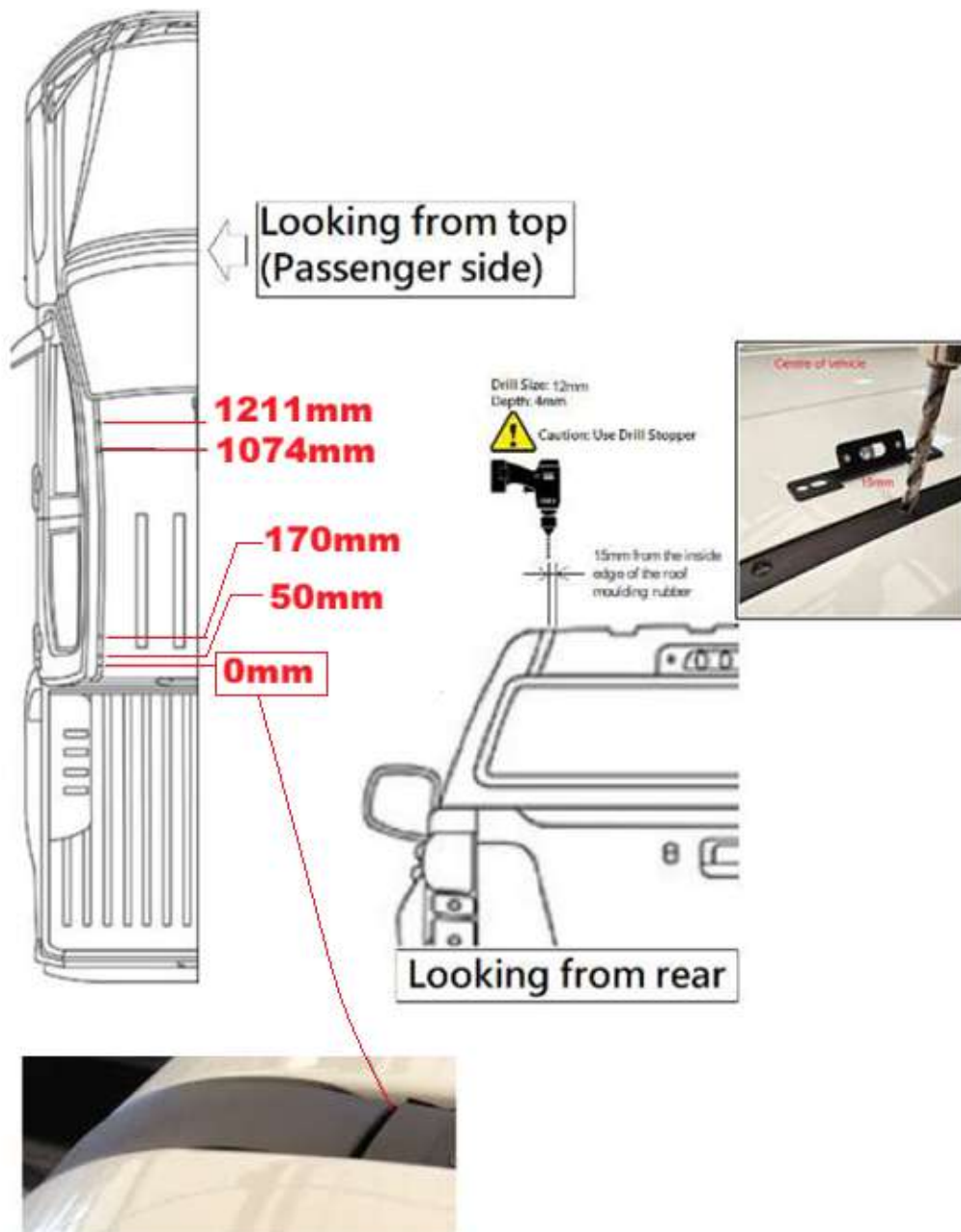


- We will be using the threaded holes to mount the X-brackets.

Step 1: Drilling Holes on the Roof Trim

Type II: Bare Roof

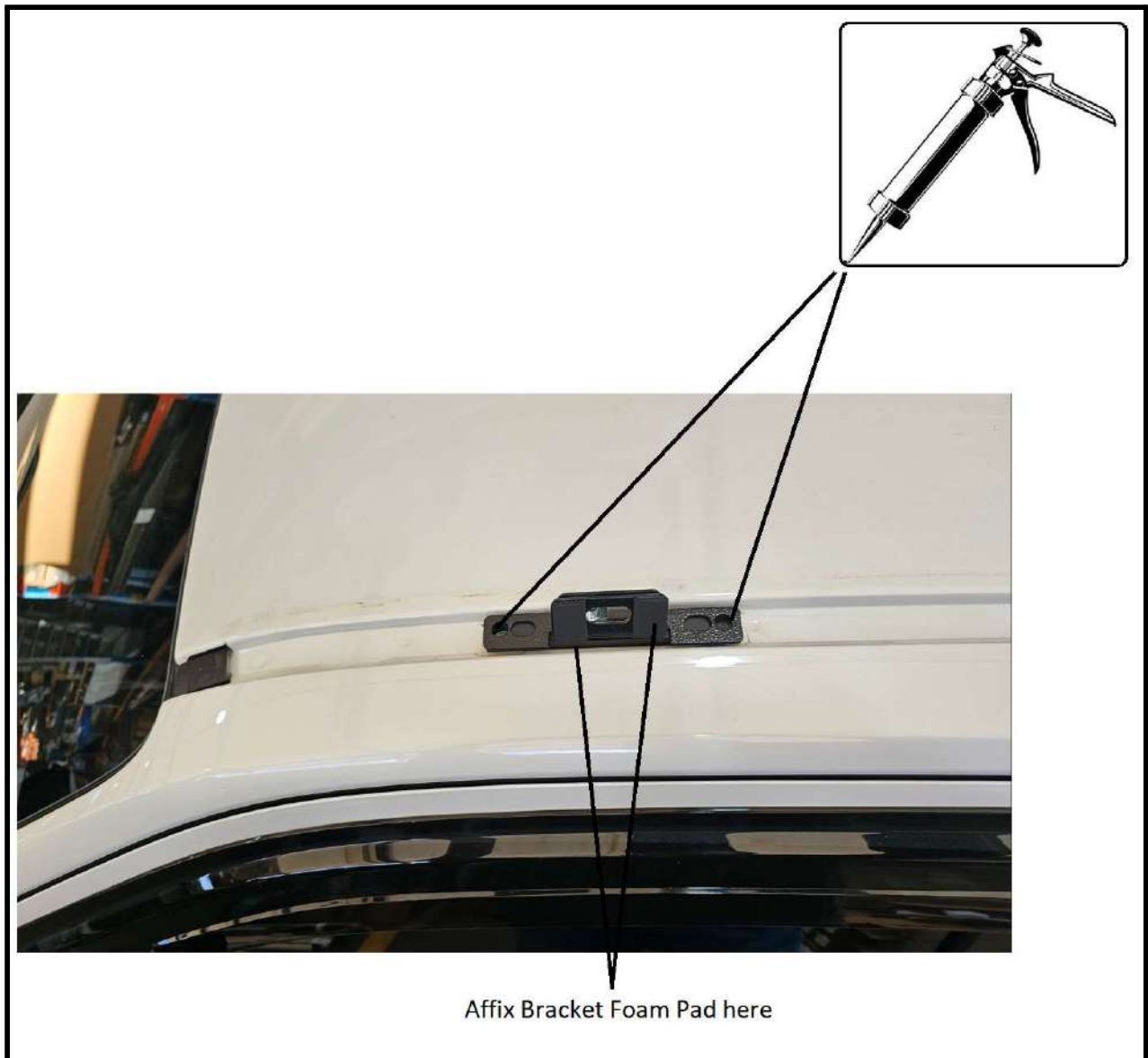
- Mark out the hole locations as per illustration below.
- With a drill stopper, drill through only the rubber trim to expose the factory fitted thread on the vehicle's roof.
- **Do not remove the rubber trim from the vehicle's ditch.**
- Pilot drill holes $\varnothing 4\text{mm}$ through centre of threaded holes.
- Enlarge holes to $\varnothing 12\text{mm}$.



Step 2: Install the X-Bracket

Type I: For vehicle with factory fitted rail

- Place the HDPE spacer blocks on top of the threaded holes located in the roof's ditch
- Align the mounting holes of the X-bracket with the ditch threaded holes and the holes on the HDPE spacer block



- Apply silicon generously on the ditch's thread before introducing the M8x40 Socket Screws.

- Secure the X-Bracket into position



- Repeat the process for the remaining X-Brackets.

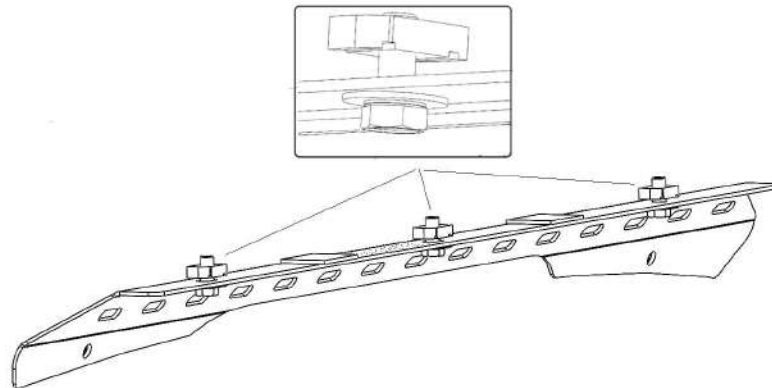
Type II: For vehicle with bare roof



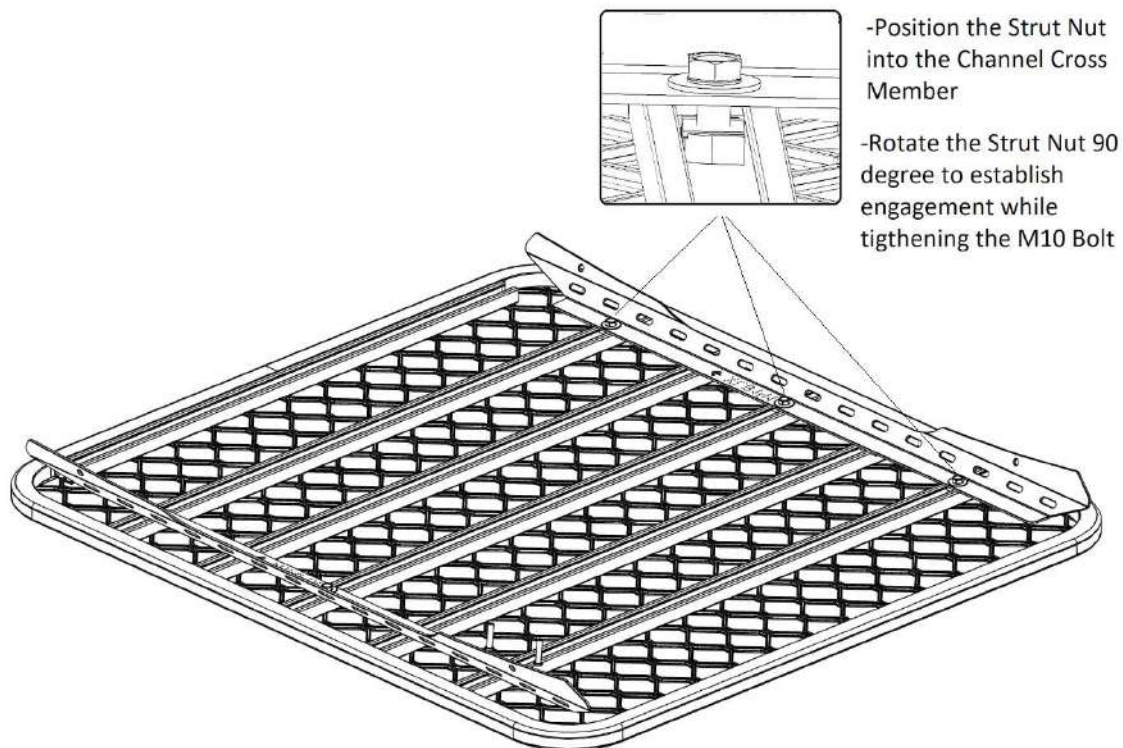
- Align the mounting holes of the X-Bracket with the pre-drilled holes onto the roof rubber trim.
- Apply silicon generously on the ditch's thread before introducing the M8x40 Socket Screws.
- Secure the X-Bracket into position

Step 3: Setting up Tough Bars onto Roof Rack

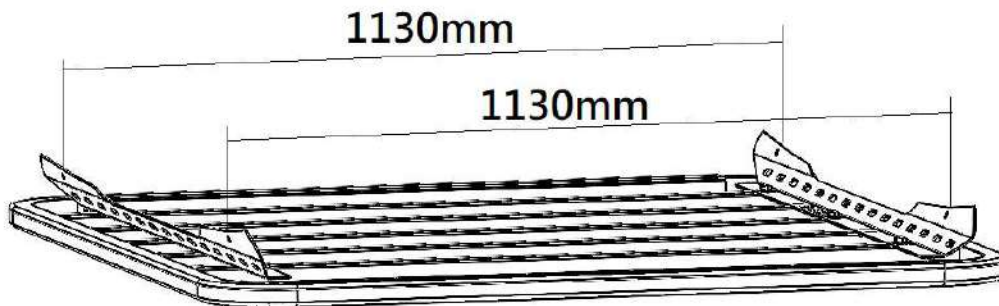
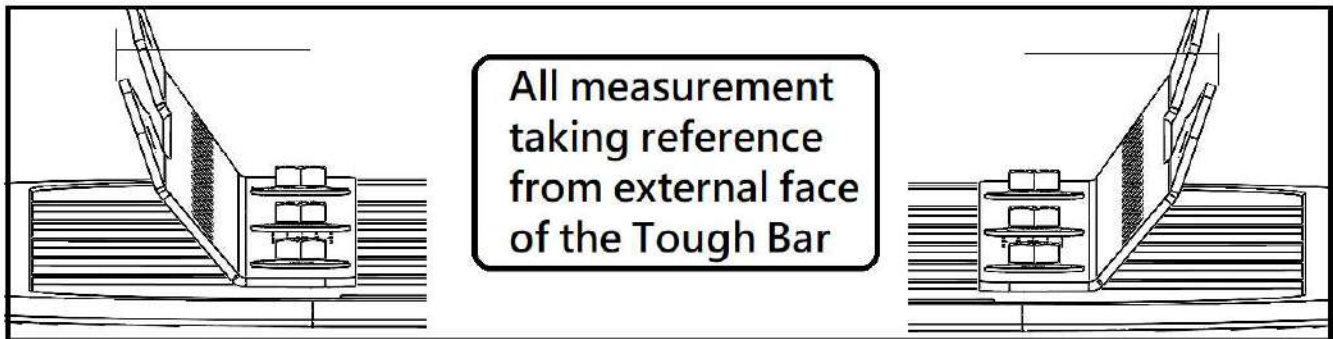
- Install the M10 Strut Nut and M10 bolt into their respective location onto the top Tough Bar as shown:



- Place the roof rack on a flat surface with the open side of the channel cross members facing upward.

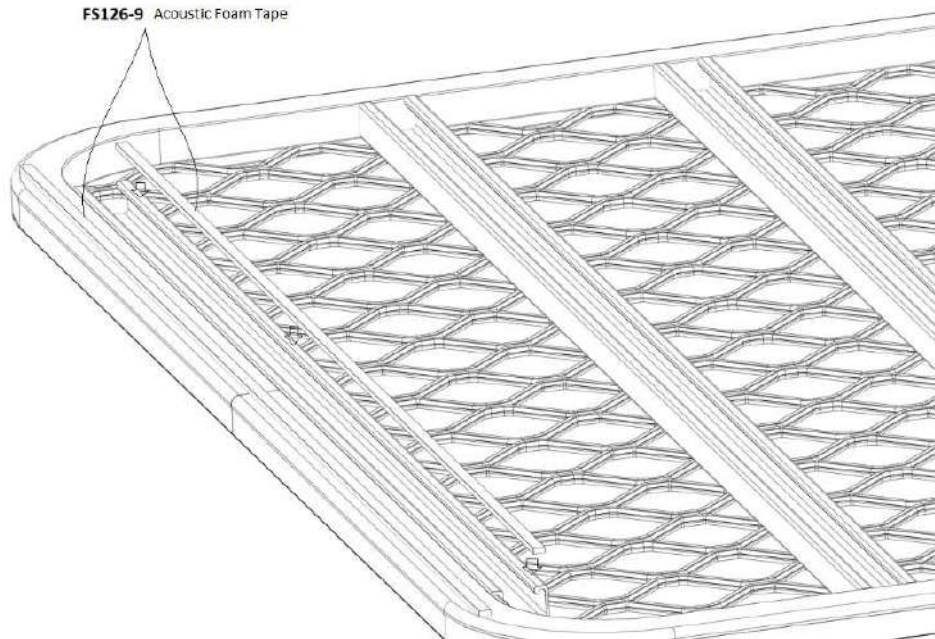


- Adjust the Tough Bar according to the distance specified below. Centralise before securing the Tough Bar firmly in position.

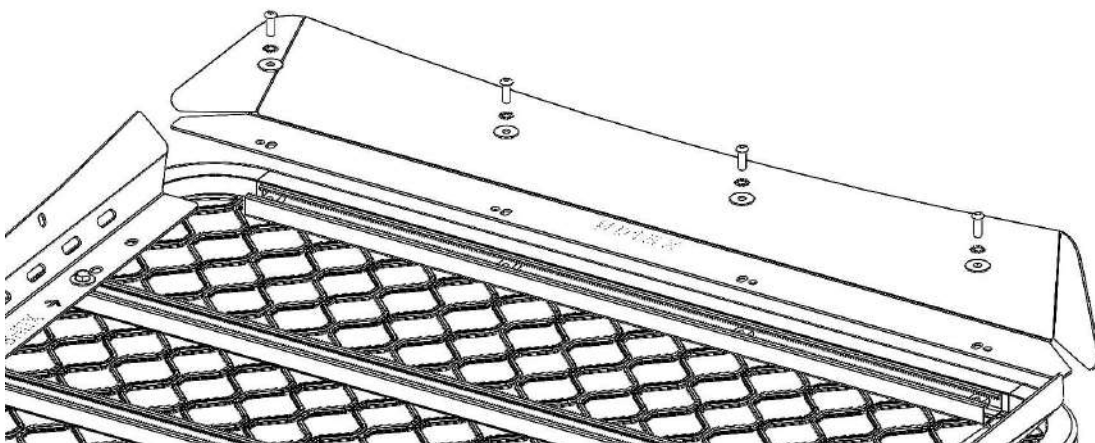


Step 4: Installation of Wind-deflector(TLRWD13X)

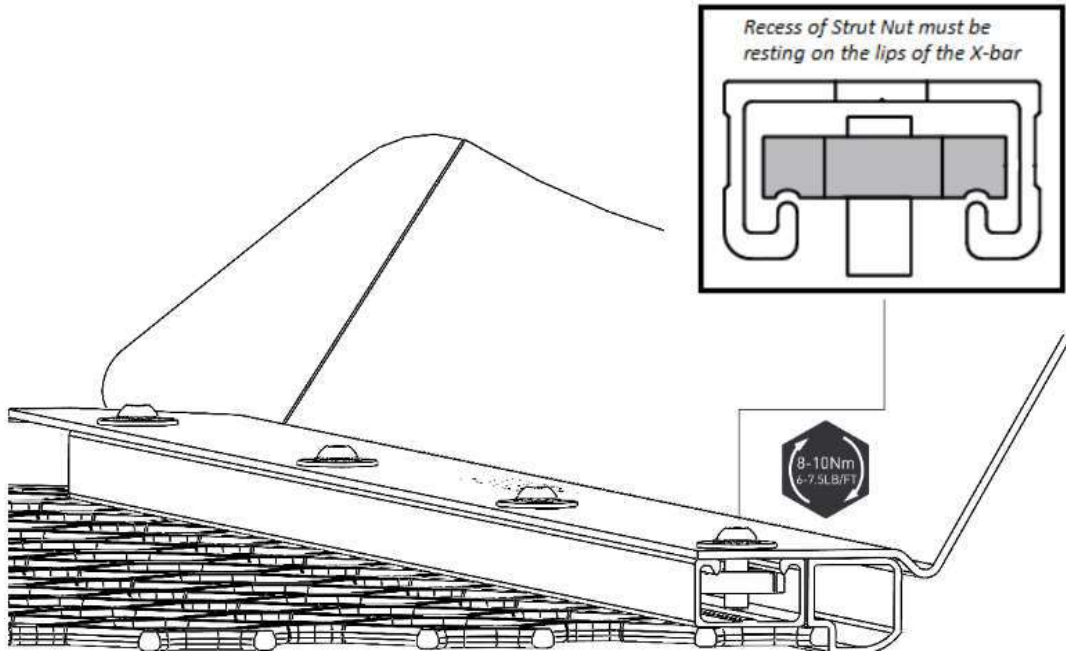
- Apply Acoustic Foam Tape on to the Roof Rack Frontal Area



- Secure the Wind-deflector onto the front of the rack as per the illustration shown below:

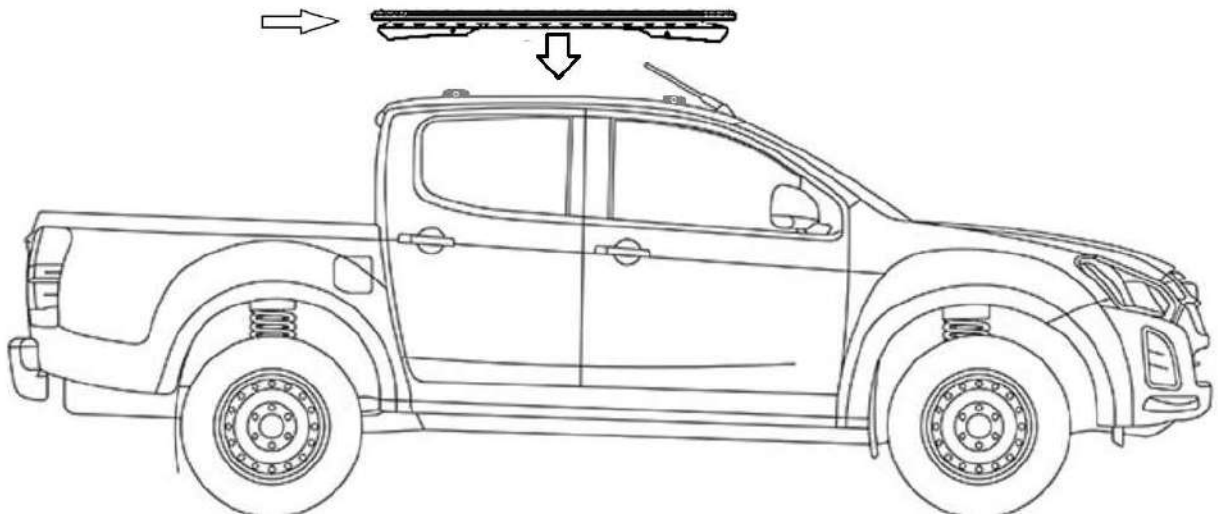


- Centralised and tightened.



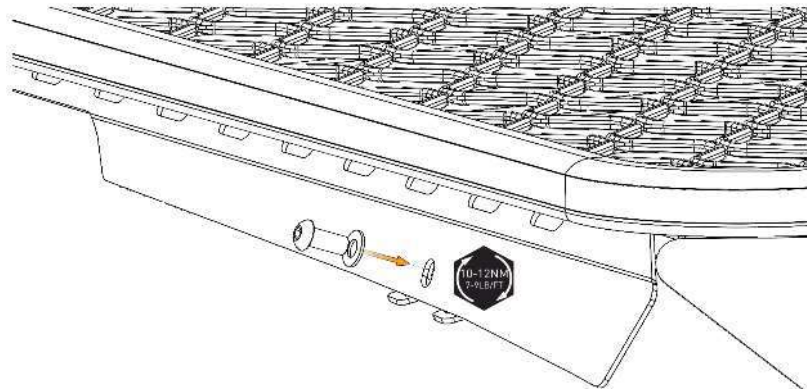
Step 5: Installation of Roof-rack assembly onto the X-Bracket.

- With a person either side of the Roof Rack, carry the Roof Rack over the rear of the vehicle and rest the Tough Bar gently over the X Brackets and align the hole centres with brackets.



⚠ Antenna must be outside the Wind Deflector

- Fit the M10x25 Button Cap Socket Screw with $\frac{3}{8}$ x $\frac{3}{4}$ Flat Washer through the holes and tighten to 10-12Nm (7-9lbs/ft)



- Check to ensure that all fasteners are fully secured.
- The installation is now completed and ready to be used.

SAFETY

- Cargo must be secured firmly onto the Roof Rack during operation at all times.
- Frequently check the tightness of cargo on the Roof Rack, especially when travelling over rough terrain or off-road
- Use only non-stretchable fastening ropes or straps to attach cargo onto the Roof Rack.
- Extreme care must be taken in off road conditions.

MAINTENANCE

- All bolted connections should be checked after driving a short distance when you first install your roof racks
- All bolted connections should be checked at regular intervals, depending on road conditions, usage, loads and distances travelled
- All bolted connections should be checked each time they are re-fitted.



IMPORTANT WARNING!

IT IS CRITICAL THAT ALL TRACKLANDER 4WD ROOF RACK PRODUCTS BE PROPERLY AND SECURELY ASSEMBLED AND ATTACHED TO YOUR VEHICLE. IMPROPER ATTACHMENT COULD RESULT IN AN VEHICLE ACCIDENT, AND COULD CAUSE SERIOUS BODILY INJURY OR DEATH. YOU ARE RESPONSIBLE FOR ASSEMBLING AND SECURING ALL TRACKLANDER 4WD ROOF RACK PRODUCTS TO YOUR VEHICLE, CHECKING THE ATTACHMENTS PRIOR TO USE, AND PERIODICALLY INSPECTING THE PRODUCTS FOR ADJUSTMENT, WEAR AND TEAR. THEREFORE, YOU MUST READ AND UNDERSTAND ALL OF THE INSTRUCTIONS AND PRECAUTIONS SUPPLIED WITH YOUR TRACKLANDER 4WD ROOF RACK AND ACCESSORIES PRIOR TO INSTALLATION OR USE. IF YOU DO NOT UNDERSTAND ALL OF THE INSTRUCTIONS AND WARNINGS, OR IF YOU HAVE NO MECHANICAL EXPERIENCE AND ARE NOT THOROUGHLY FAMILIAR WITH THE INSTALLATION PROCEDURES, YOU SHOULD HAVE THE PRODUCT INSTALLED BY A PROFESSIONAL INSTALLER OR OTHER QUALIFIED PERSON.

NOTE: TRACKLANDER 4WD ROOF RACKS will not be responsible for any damage caused by the failure to install the product according to these instructions. Please call us if you have any questions about the installation of this product.

TRACKLANDER 4WD ROOF RACKS

**T : (08) 9451 0700 E :sales@tracklander.com.au W :tracklander.com.au
A:12 Railway Parade, Welshpool, WA 6106
OPEN 8.00AM - 5.00PM MON-FRI**



Prepared by : Yong.Liu
(Principal Design Engineer)

Date : 31/08/2023

Signature :

Approved By: Jon McEwen
(Chief Executive Officer)

Date : 31/08/2023

Signature :

Document No: XLBKIT141_R01

Issue : 31/08/2023