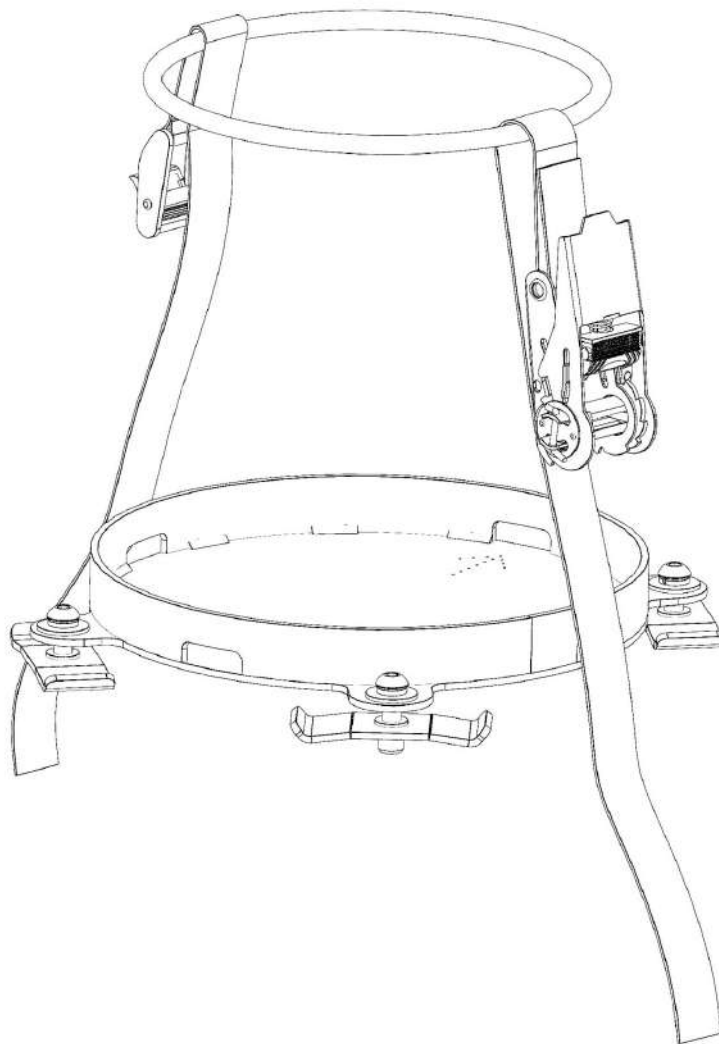




FOR WHEN YOU'RE SERIOUSLY OFF ROAD

UNIVERSAL GAS BOTTLE HOLDER (TLRGBHU)



Thank you for purchasing a TRACKLANDER 4WD ROOF RACKS Universal Gas Bottle Holder. Before you start, take a moment to familiarise yourself with the Fitting Instructions and the components received.

Refer to Page 2 for a list of all the components, quantities and tools required.



FOR WHEN YOU'RE SERIOUSLY OFF ROAD

		In the Box		
		No	Item	Qty
	1	Universal Ring	1	
	2	Gas Bottle Tray	1	
	3	Claw Clamp	4	
	4	1" Ratchet Strap, Length 1.2m	1	
	5	1" Cam Buckle Strap, Length 1.2m	1	
	6	M8 x 30mm But. Cap Soc. Screw, A4	4	
	7	M8 Spring Washer	4	
	8	5/16 x 5/8, 316 Flat Washer	4	
	9	OD228mm x 5mm Rubber Mat	1	
	10	60mmx40mmx3mm Foam Tape	4	

Tools required

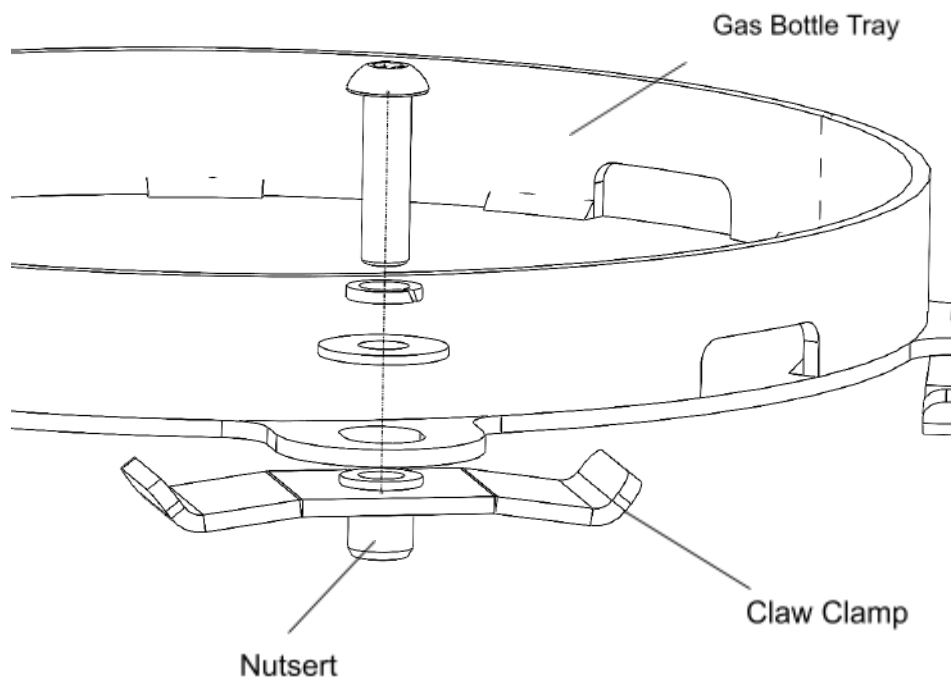
5mm Hexagon Wrench/Key

Specification

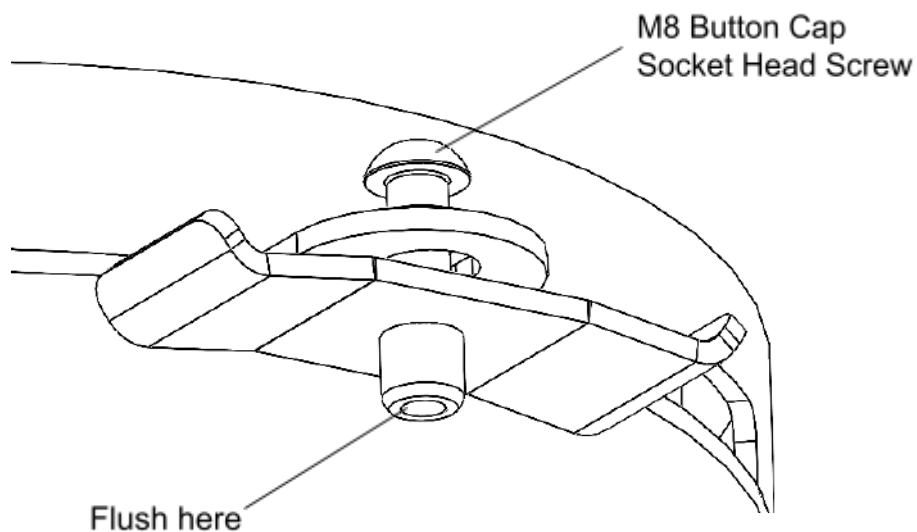
The Universal Gas Bottle Holder is designed to carry Gas Bottle Cylinder of 2.5kg to 9.0kg

Step 1: Installation of Claw Clamp onto the Gas Bottle Tray

- Put the fasteners in placed as per illustration below:



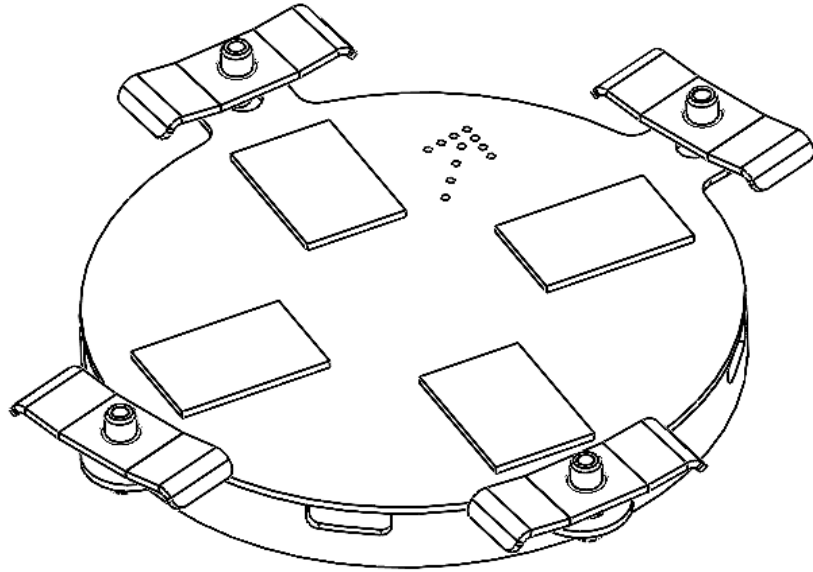
- Tighten the Claw Clamp until the end of the M8 Button Cap Socket Screw flushes with the base of the nutsert. (This allow easy insertion of the Claw Clamp into the Rack Mesh)



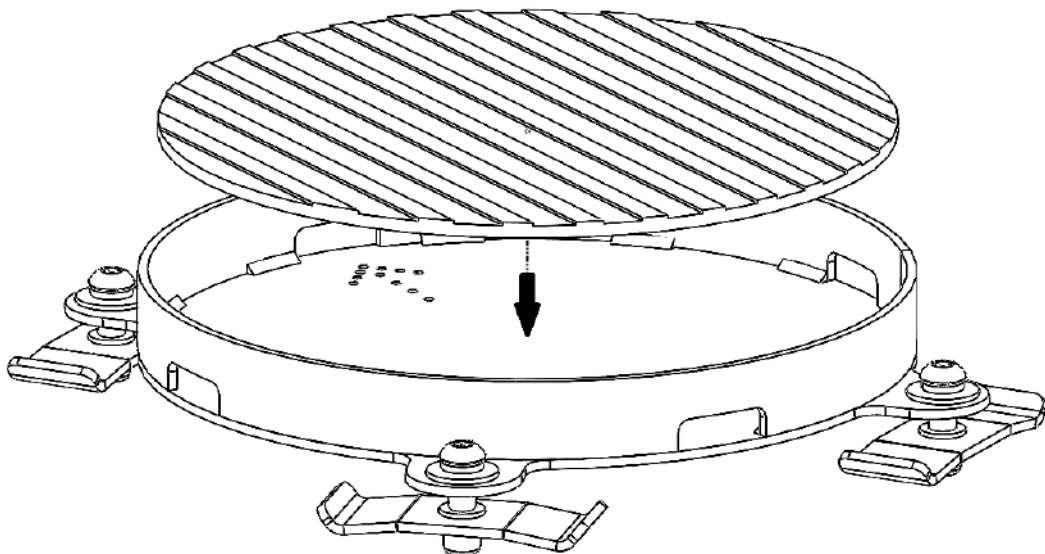
Tracklander[®]

FOR WHEN YOU'RE SERIOUSLY OFF ROAD

- Turn to the base of the Gas Bottle Tray and affix the 4 pieces of foam tape as per illustration below.



- Next, place the Rubber Mat onto the top surface of the Gas Bottle Tray.

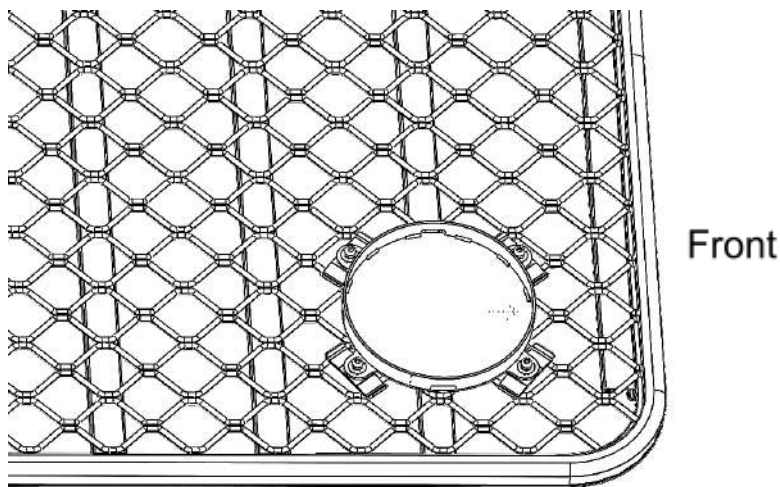




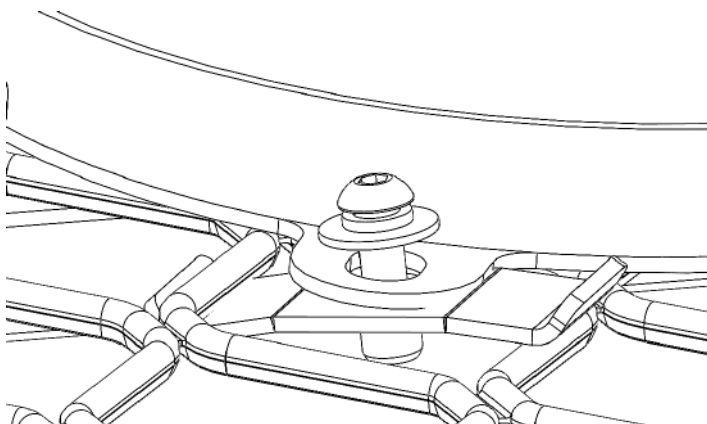
FOR WHEN YOU'RE SERIOUSLY OFF ROAD

Step 2: Install Gas Bottle Tray on Roof Rack

- Place the Gas Bottle Tray at your desired location on the Roof Rack with the **Arrow pointing toward the front** of the vehicle.
- To establish a firm and positive attachment, the centre of the Gas Bottle Tray is best located over a cross member of the Roof Rack.
- Make sure that the fastening holes are roughly above the centre of the adjacent diamond shape mesh structure of the Roof Rack.
- Claw Clamp's must be tangential to the circular edge of the Gas Bottle Tray.



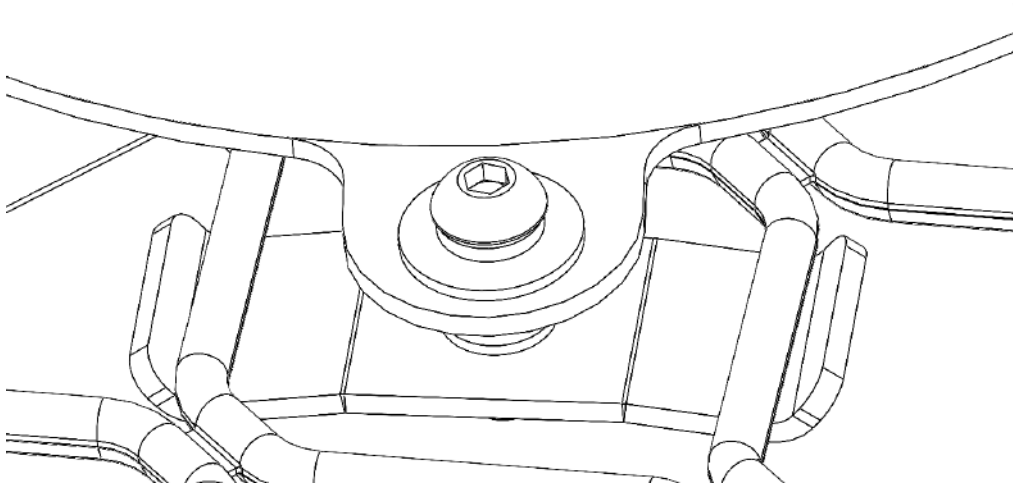
- Pull the Gas Bottle Tray toward you to allow one side of the Claw Clamp to drop into and stay under the mesh structure





FOR WHEN YOU'RE SERIOUSLY OFF ROAD

- Next, push the Gas Bottle Tray slightly away from you to allow the opposite side of the Claw Clamp to drop underneath the Roof Rack Mesh.



- Now that all Claw Clamps are underneath the Roof Rack Mesh, you can start tightening up the fasteners using a 5mm Hex Wrench/Key. (⚠ Do not over tighten the fasteners to avoid damage to the Roof Rack Mesh. Recommended torque: 10-12Nm)
- Check all fasteners to ensure that the Gas Bottle Tray has been positively secured onto the Roof Rack Mesh
- You have now completed installing the Gas Bottle Tray onto the Roof Rack.
- Proceed to the next section for instruction on securing the Gas Bottle.

Step 3: Attachment of Gas Bottle (2.5kg to 9kg capacity)

- Place the Gas Bottle over the top of the Gas Bottle Tray with the curve side of the collar facing the vehicle front
- Place the Universal Ring into the collar of the Gas Bottle
- Loop the open end of the Ratchet Strap over the Universal Ring and allow the ratchet to rest on the neck of the cylinder. Continue to work downward and allow the open end of the strap to exit from the nearest opening located at the edge of the Gas Bottle Tray.



- Repeat the same procedure for the Cam Buckle Strap
- Make a loop on far end of the Ratchet Strap





Tracklander[®]

FOR WHEN YOU'RE SERIOUSLY OFF ROAD

- Insert the looped strap into the slot of the Ratchet as shown below:



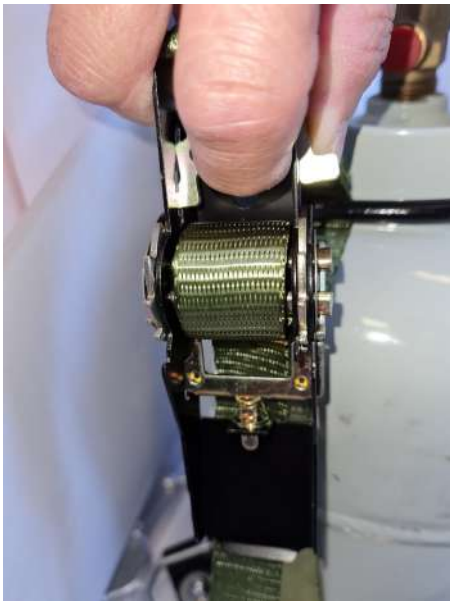
- To secure the Gas Bottle, **tension the Cam Buckle Strap first** . ( Failure to follow this step will not allow the cylinder to be secure properly)
- Start tightening the Ratchet Handle until the cylinder is positively secure onto the Gas Bottle Tray. ( **Do not over tighten the ratchet!** Stop immediately once it becomes difficult to move the Ratchet's handle)
- Excess strap automatically rolls up and keeps neatly within the Ratchet.E



- Tie the excess strap on the Cam Buckle side onto the Roof Rack Base.
- The setup is completed and you are ready for your next adventure!

Step 4: To Remove the Gas Bottle

- Release the tension on the Cam Buckle strap.
- Extend the handle of Ratchet Strap to expose the ratchet mechanism.
- You may release the strap by pulling in the upward direction while holding up the mechanical catch of the Ratchet as per illustration below:



- You may remove the Gas Bottle once all the straps have been loosened.

Tips:

- Frequently check to ensure that the gas cylinder is secured firmly onto the Roof Rack, especially when travelling over rough terrain (e.g Straps, Gas Bottle Tray & Gas Bottle)
- Continue to tighten the ratchet handle if required
- Install the Ratchet Strap on the side of your masterhand for the ease of tightening



MAINTENANCE

- If the ratchet mechanism becomes stiff in use, apply a small amount of lubrication to the moving parts.
- Remove oil, fuel or acid from a contaminated strap with hot soapy water.
- Do not use a ratchet strap for lifting.
- Protect strap from abrasion and friction.
- Do not tie knots in the straps.
- Do not use a damaged strap.

SAFETY

- Do not transport gas in unapproved cylinder.
- Do not transport with the gas regulator attached.
- Gas Bottle must only be stored in an upright position.
- The Universal Gas Bottle Holder is designed to carry a Gas Bottle cylinder of 2.5kg to 9.0kg. Do not transport cylinders that exceed the design specification.



IMPORTANT WARNING!

IT IS CRITICAL THAT ALL TRACKLANDER 4WD ROOF RACK PRODUCTS BE PROPERLY AND SECURELY ASSEMBLED AND ATTACHED TO YOUR VEHICLE. IMPROPER ATTACHMENT COULD RESULT IN AN VEHICLE ACCIDENT, AND COULD CAUSE SERIOUS BODILY INJURY OR DEATH. YOU ARE RESPONSIBLE FOR ASSEMBLING AND SECURING ALL TRACKLANDER 4WD ROOF RACK PRODUCTS TO YOUR VEHICLE, CHECKING THE ATTACHMENTS PRIOR TO USE, AND PERIODICALLY INSPECTING THE PRODUCTS FOR ADJUSTMENT, WEAR AND TEAR. THEREFORE, YOU MUST READ AND UNDERSTAND ALL OF THE INSTRUCTIONS AND PRECAUTIONS SUPPLIED WITH YOUR TRACKLANDER 4WD ROOF RACK AND ACCESSORIES PRIOR TO INSTALLATION OR USE. IF YOU DO NOT UNDERSTAND ALL OF THE INSTRUCTIONS AND WARNINGS, OR IF YOU HAVE NO MECHANICAL EXPERIENCE AND ARE NOT THOROUGHLY FAMILIAR WITH THE INSTALLATION PROCEDURES, YOU SHOULD HAVE THE PRODUCT INSTALLED BY A PROFESSIONAL INSTALLER OR OTHER QUALIFIED PERSON.

NOTE: TRACKLANDER 4WD ROOF RACKS will not be responsible for any damage caused by the failure to install the product according to these instructions. Please call us if you have any questions about the installation of this product.

TRACKLANDER 4WD ROOF RACKS

T : (08) 9451 0700 **E :** sales@tracklander.com.au **W :** tracklander.com.au
A: 12 Railway Parade, Welshpool, WA 6106
OPEN 8.00AM - 5.00PM MON-FRI