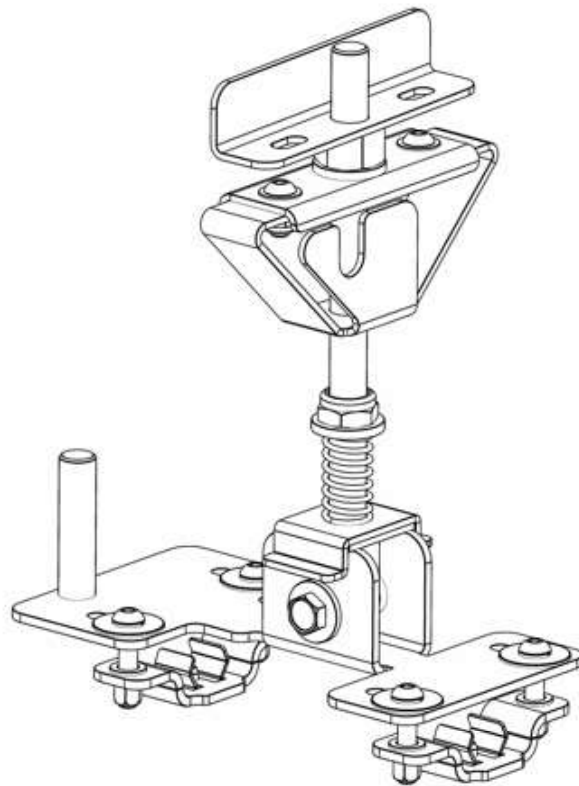


## *Spare Wheel T-bolt X*

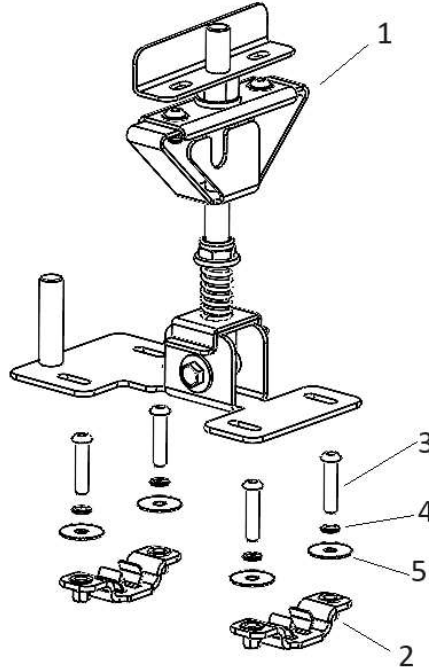
TLRSWTBX



Thank you for purchasing a TRACKLANDER 4WD ROOF RACK ACCESSORY. Before you start, take a moment to familiarise yourself with the Fitting Instructions and the components received.

Refer to the next section for a list of all the components, quantities and tools required.

What's inside the box



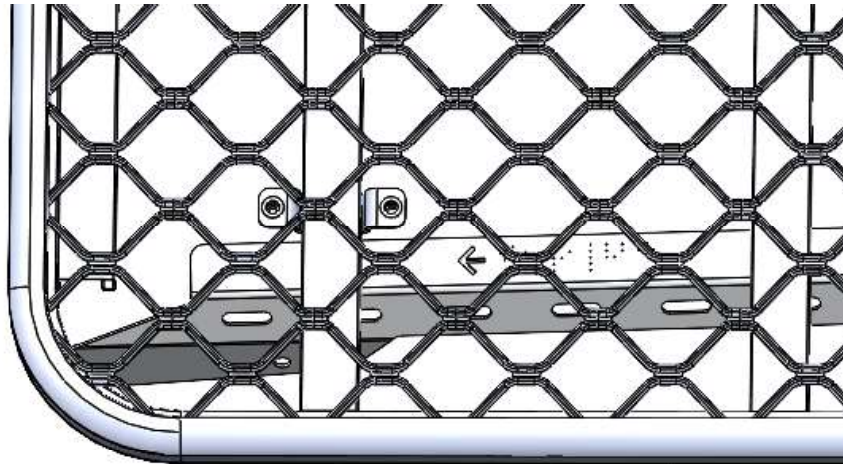
No	Item	Qty
1	Spare Wheel T-bolt Assembly	1
2	Tiger Clamp	2
3	M8x40 Button Cap Socket Head	4
4	M8 Spring Washer, SS	4
5	$\frac{5}{16}$ X1 $\frac{1}{4}$ Flat Washer, SS	4

Tools required

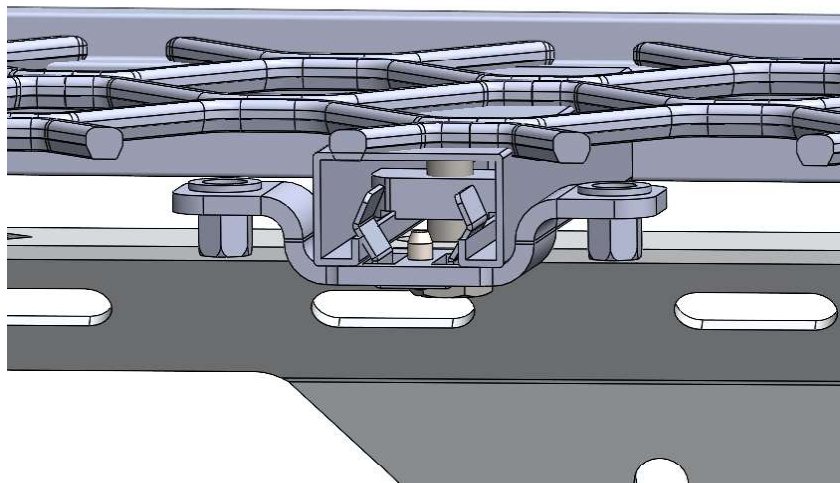
5mm Hexagon Wrench/Key, M8 (Recommended Torque Setting: 10Nm)

## Step 1: Install Tiger Clamp

- Introduce the Tiger Clamp into the underside of the cross member of the rack via the mesh opening with the Channel Clip facing upward.



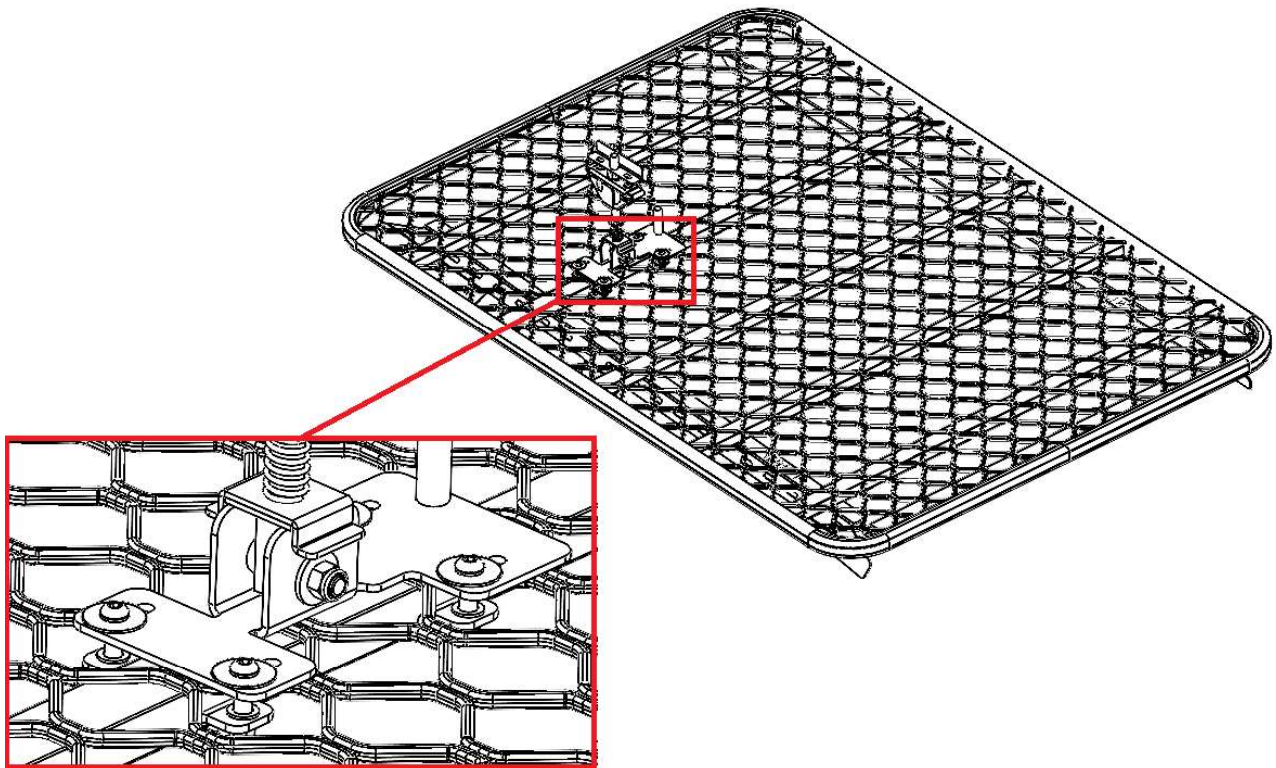
- Holding on to the wings of the Tiger Clamp, exert upward force to engage the Clamp onto the cross member of the rack.



- Repeat for the second set of Tiger Clamp

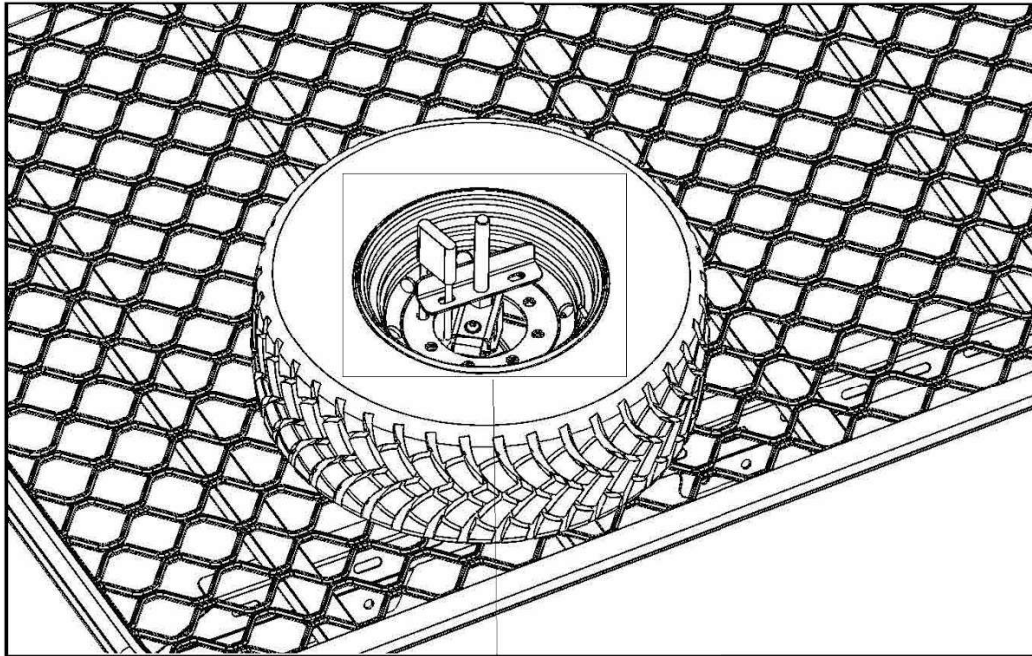
## Step 2: Mounting the Base Bracket

- Secure the TLRSWTBX onto the top of the Roof Rack via the securing holes found on the Tiger Clamps.



- The TLRSWTBX is now ready to receive the spare wheel.

## Step 2: Receiving the Spare Wheel



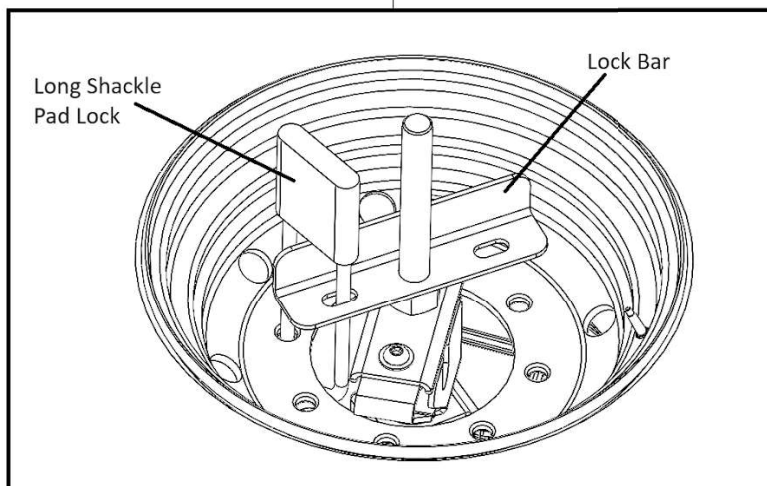
-Insert the Spare Wheel through the threaded shaft of the TLRSWTBX

-Introduce the Wheel Hub Adaptor before tighten with the Lock Bar

-Align the slot of the Lock Bar with the closest hole of the rim to allow the shackle of the padlock to pass through easily.

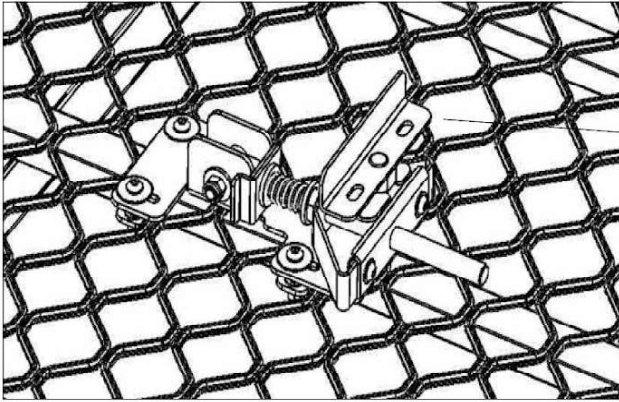
-Check and ensure that the wheel is secured firmly onto the Roof Rack.

-The installation is now completed.

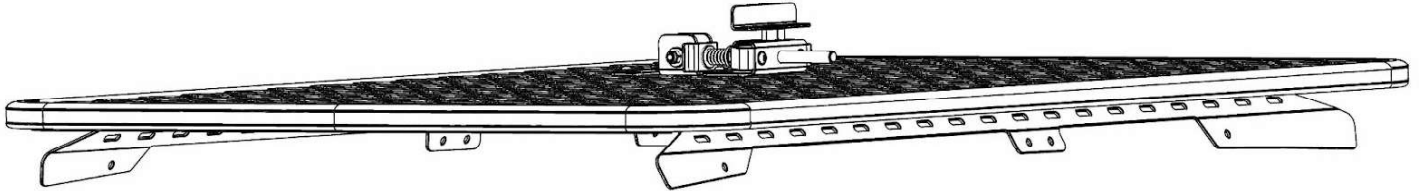


\*Long Shackle PadLock not included.

## Step 3: Storing the TLRSWTBX



Attach the Locking Bar here to secure the device in its folded position



## SAFETY

- Cargo must be secured firmly onto the Roof Rack during operation at all times.
- Frequently check the tightness of cargo on the Roof Rack, especially when travelling over rough terrain or off-road
  - » Use only non-stretchable fastening ropes or straps to attach cargo onto the Roof Rack.
- Extreme care must be taken in off road conditions.

## MAINTENANCE

- All bolted connections should be checked after driving a short distance when you first install your roof racks
- All bolted connections should be checked at regular intervals, depending on road conditions, usage, loads and distances travelled
- All bolted connections should be checked each time they are re-fitted.



**IMPORTANT WARNING!**

IT IS CRITICAL THAT ALL TRACKLANDER 4WD ROOF RACK PRODUCTS BE PROPERLY AND SECURELY ASSEMBLED AND ATTACHED TO YOUR VEHICLE. IMPROPER ATTACHMENT COULD RESULT IN AN VEHICLE ACCIDENT, AND COULD CAUSE SERIOUS BODILY INJURY OR DEATH. YOU ARE RESPONSIBLE FOR ASSEMBLING AND SECURING ALL TRACKLANDER 4WD ROOF RACK PRODUCTS TO YOUR VEHICLE, CHECKING THE ATTACHMENTS PRIOR TO USE, AND PERIODICALLY INSPECTING THE PRODUCTS FOR ADJUSTMENT, WEAR AND TEAR. THEREFORE, YOU MUST READ AND UNDERSTAND ALL OF THE INSTRUCTIONS AND PRECAUTIONS SUPPLIED WITH YOUR TRACKLANDER 4WD ROOF RACK AND ACCESSORIES PRIOR TO INSTALLATION OR USE. IF YOU DO NOT UNDERSTAND ALL OF THE INSTRUCTIONS AND WARNINGS, OR IF YOU HAVE NO MECHANICAL EXPERIENCE AND ARE NOT THOROUGHLY FAMILIAR WITH THE INSTALLATION PROCEDURES, YOU SHOULD HAVE THE PRODUCT INSTALLED BY A PROFESSIONAL INSTALLER OR OTHER QUALIFIED PERSON.

NOTE: TRACKLANDER 4WD ROOF RACKS will not be responsible for any damage caused by the failure to install the product according to these instructions. Please call us if you have any questions about the installation of this product.

**TRACKLANDER 4WD ROOF RACKS**

T : (08) 9451 0700 E :[sales@tracklander.com.au](mailto:sales@tracklander.com.au) W  
[:tracklander.com.au](http://tracklander.com.au) A:12 Railway Parade, Welshpool, WA 6106  
OPEN 8.00AM - 5.00PM MON-FRI