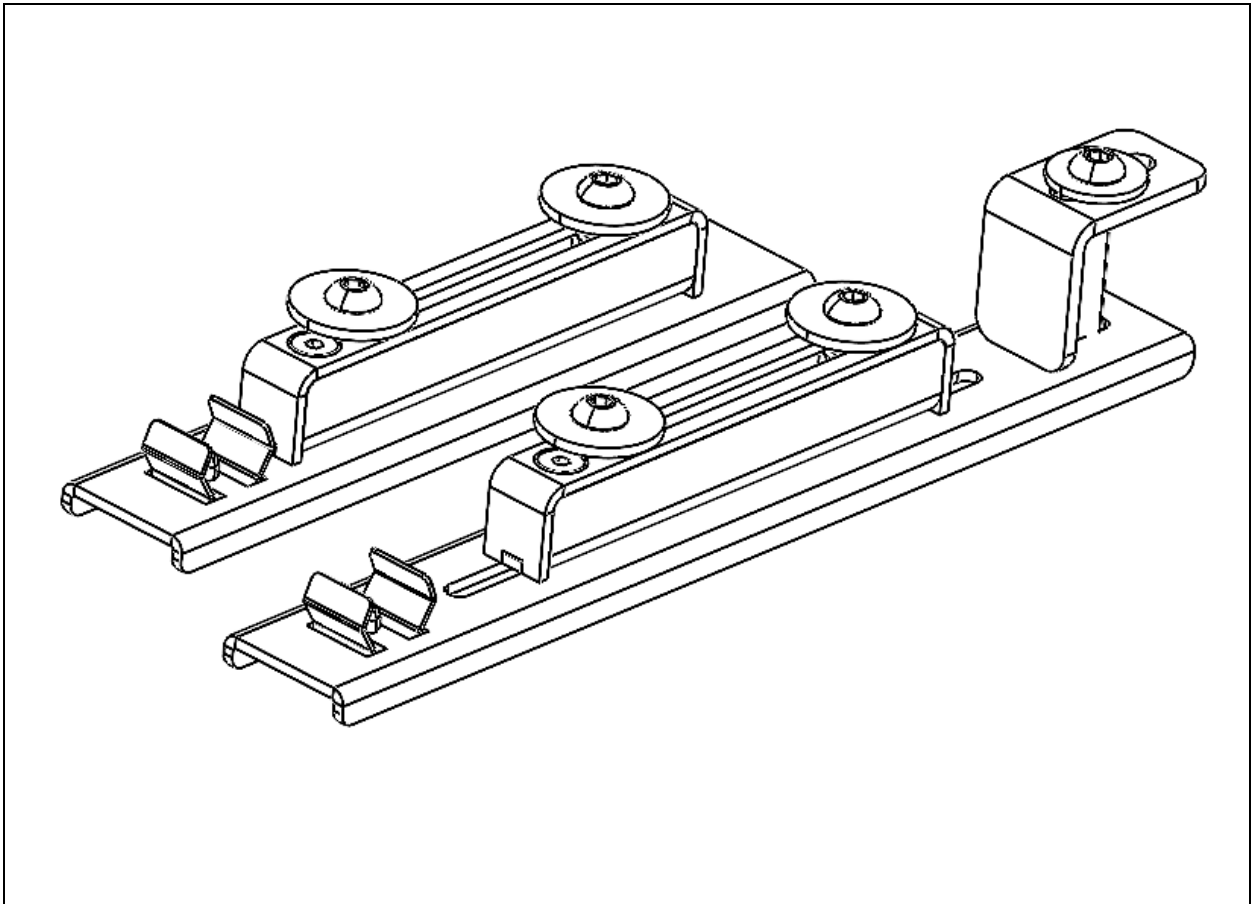


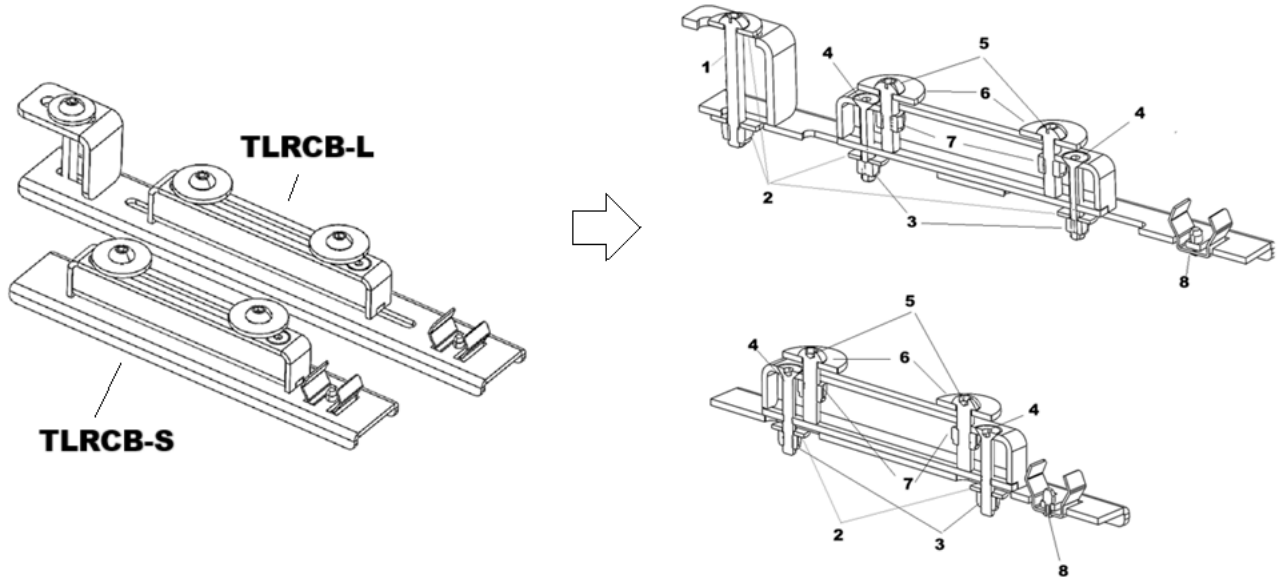
Tracklander Cross Brace (TLRCB)

(Suits TLRAL22FT)



Thank you for purchasing a TRACKLANDER 4WD ROOF RACK. Before you start, take a moment to familiarise yourself with the Fitting Instructions and the components received. Refer to the next section for a list of all the components, quantities and tools required.

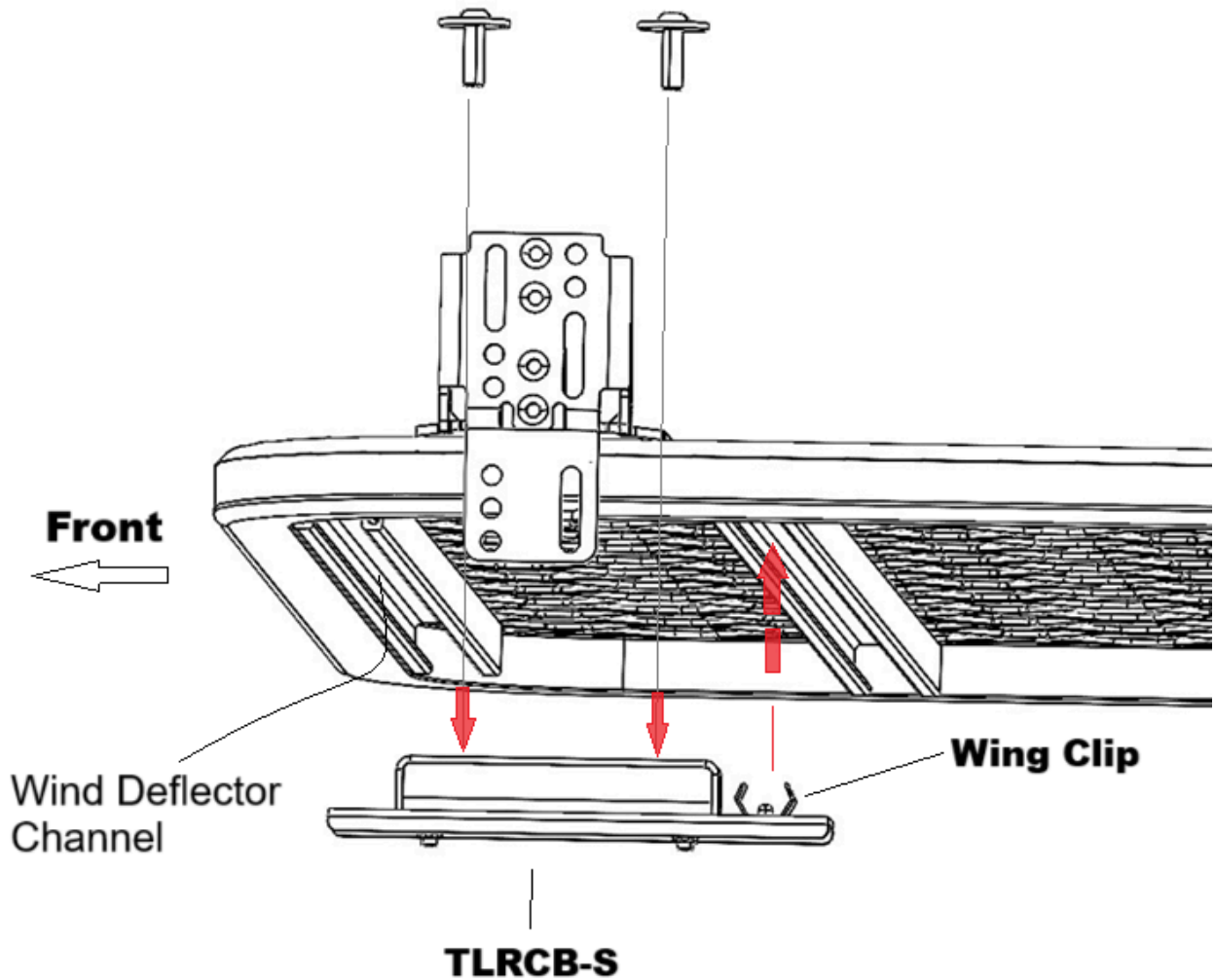
BOM for Fasteners Kit



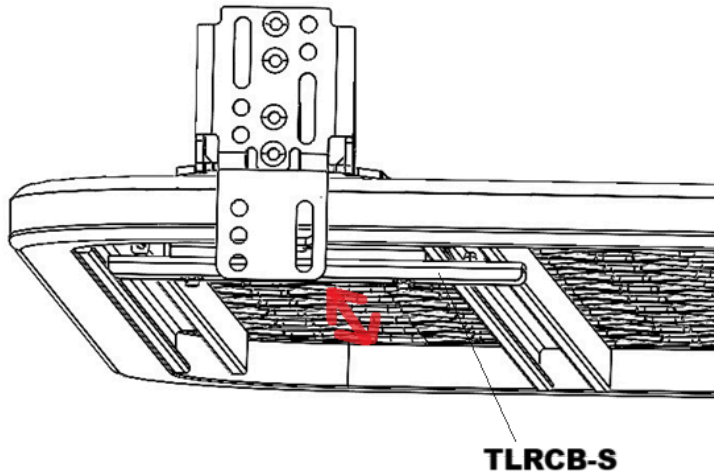
No	Description	Qty
1	M6 x 60 Button Cap Socket Head Screw, SS304	1
2	1/4 x 3/4 Flat Washer	6
3	M6 Nyloc Nut, ZP	5
4	M6 x 40 CSK Socket Screw, SS304	4
5	M8 x 35 Button Cap Socket Head Screw, SS304	4
6	5/16 x 1/1/4 Flat Washer, SS304	4
7	M8 Nyloc Nut	4
8	OD3.2 Blind Rivet, SS	2



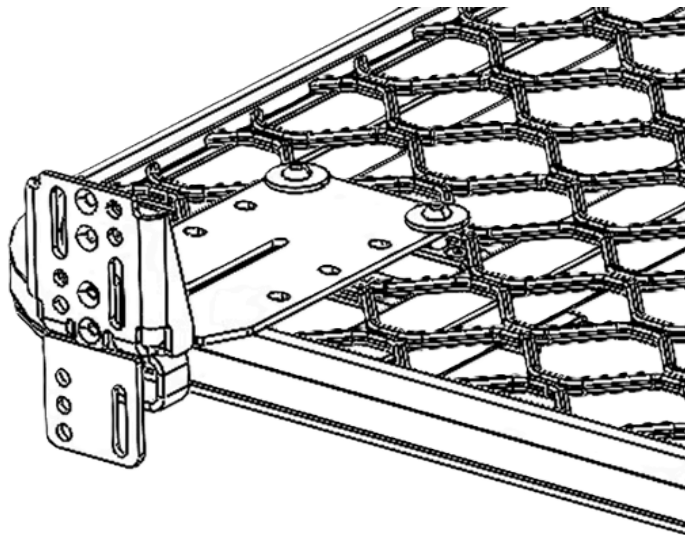
Step 1: Install the TLRCB-S to the frontal cross member of the Roof Rack



Insert the Wing Clip into the 1st Cross Member of the Roof Rack located behind the Wind Deflector Channel.

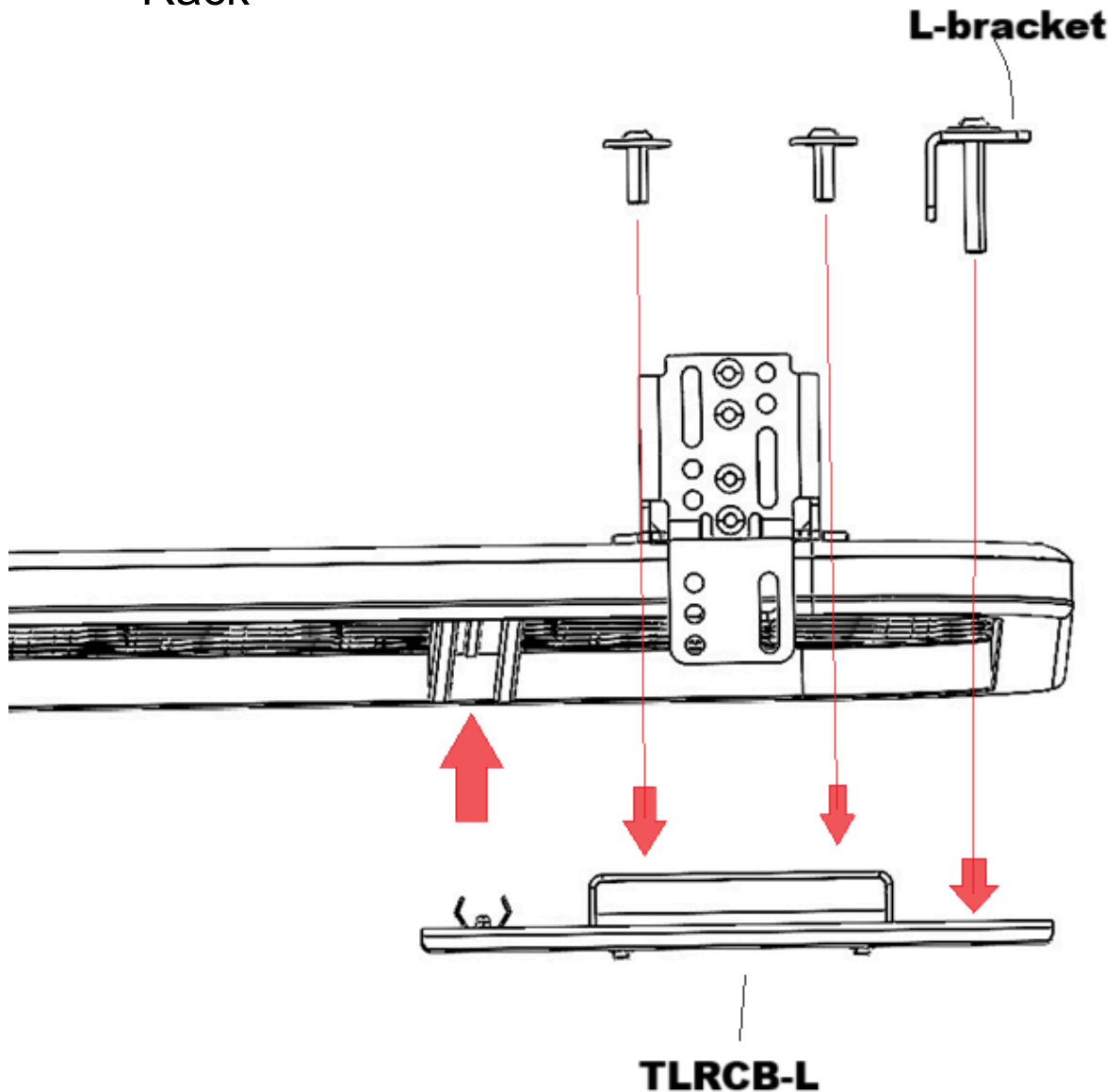


Slide the TLRCB-S along the cross member to align with the mounting holes on the TLRBAM.



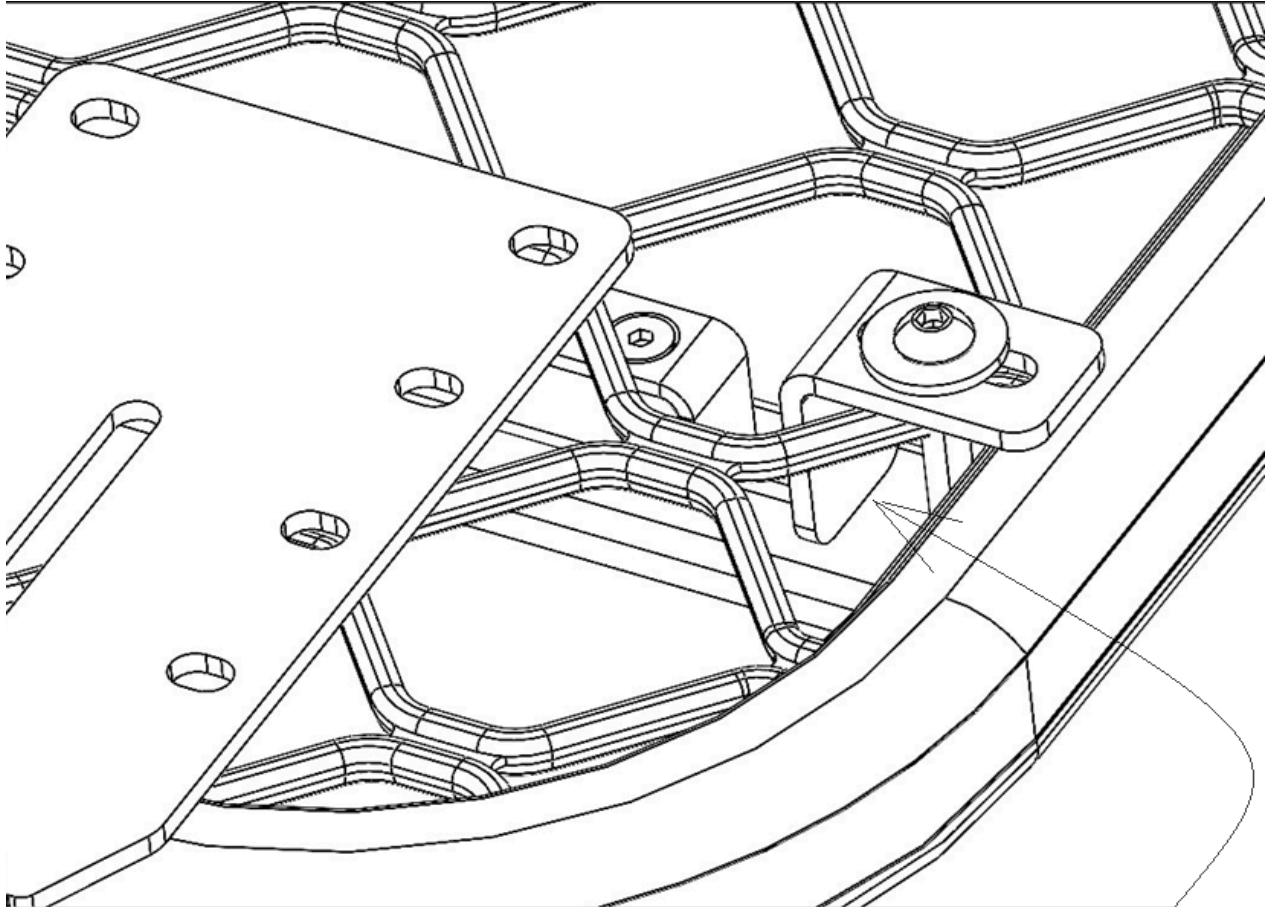
Secure the TLRBAM through the selected mounting holes with the fasteners provided in the kit.

Step 2: Install the TLRCB-L to the rear of the Roof Rack



Repeat the same mounting procedure as described earlier to mount the TLRCB-L.

Use the L-bracket to secure the Plain end of the TLRCB-L onto the Roof Rack.

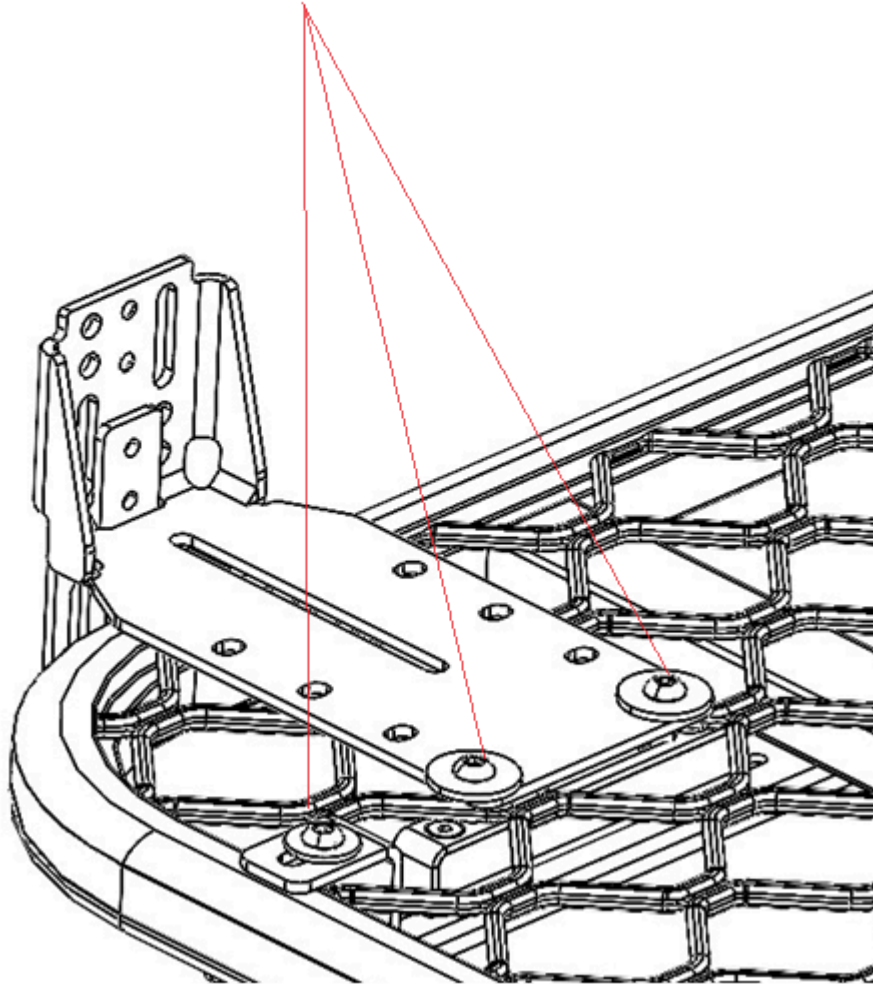


Thread the vertical end of the L-bracket through the diamond mesh of the Roof Rack to make contact with the flat surface of the TLRCB-L

***Secure the L-bracket with the fastener kit provided**

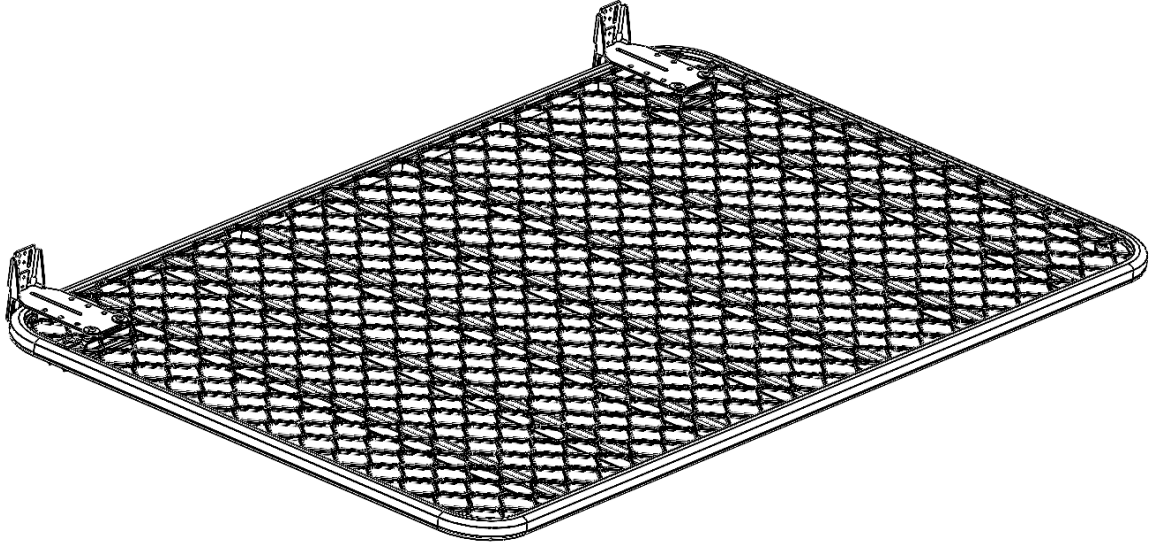


**Secure TLRBAM to TLRCB-L
using the fastener kit provided**





The installation of the TLRCB is completed.



*Users must follow the mounting procedure of the TLRBAM stipulated in the fitting instruction that comes with the kit. This document only provides the fitting instruction for the TLRCB.



SAFETY

- Cargo must be secured firmly onto the Roof Rack during operation at all times.
- Frequently check the tightness of cargo on the Roof Rack, especially when travelling over rough terrain or off-road
 - » Use only non-stretchable fastening ropes or straps to attach cargo onto the Roof Rack.
- Extreme care must be taken in off road conditions.

MAINTENANCE

- All bolted connections should be checked after driving a short distance when you first install your roof racks
- All bolted connections should be checked at regular intervals, depending on road conditions, usage, loads and distances travelled
- All bolted connections should be checked each time they are re-fitted.



IMPORTANT WARNING!

IT IS CRITICAL THAT ALL TRACKLANDER 4WD ROOF RACK PRODUCTS BE PROPERLY AND SECURELY ASSEMBLED AND ATTACHED TO YOUR VEHICLE. IMPROPER ATTACHMENT COULD RESULT IN AN VEHICLE ACCIDENT, AND COULD CAUSE SERIOUS BODILY INJURY OR DEATH. YOU ARE RESPONSIBLE FOR ASSEMBLING AND SECURING ALL TRACKLANDER 4WD ROOF RACK PRODUCTS TO YOUR VEHICLE, CHECKING THE ATTACHMENTS PRIOR TO USE, AND PERIODICALLY INSPECTING THE PRODUCTS FOR ADJUSTMENT, WEAR AND TEAR. THEREFORE, YOU MUST READ AND UNDERSTAND ALL OF THE INSTRUCTIONS AND PRECAUTIONS SUPPLIED WITH YOUR TRACKLANDER 4WD ROOF RACK AND ACCESSORIES PRIOR TO INSTALLATION OR USE. IF YOU DO NOT UNDERSTAND ALL OF THE INSTRUCTIONS AND WARNINGS, OR IF YOU HAVE NO MECHANICAL EXPERIENCE AND ARE NOT THOROUGHLY FAMILIAR WITH THE INSTALLATION PROCEDURES, YOU SHOULD HAVE THE PRODUCT INSTALLED BY A PROFESSIONAL INSTALLER OR OTHER QUALIFIED PERSON.

NOTE: TRACKLANDER 4WD ROOF RACKS will not be responsible for any damage caused by the failure to install the product according to these instructions. Please call us if you have any questions about the installation of this product.

TRACKLANDER 4WD ROOF RACKS

T : (08) 9451 0700 E :sales@tracklander.com.au W
:tracklander.com.au A:12 Railway Parade, Welshpool, WA 6106
OPEN 8.00AM - 5.00PM MON-FRI