



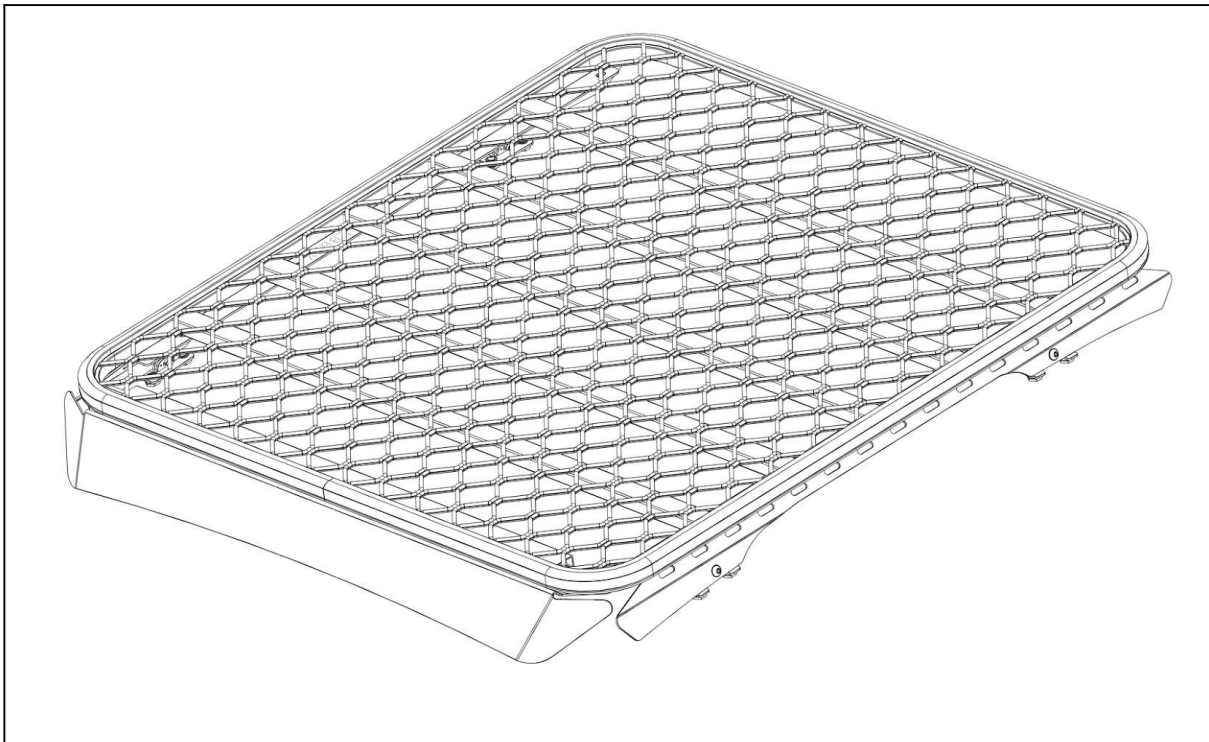
## FORD RANGER WILDTRAK DUAL CAB

(WILDTRAK, WILDTRAK-X, PLATINUM)

Roof Rack(TLRAL14/FT/OE)

Wind Deflector(TLRWD15X)

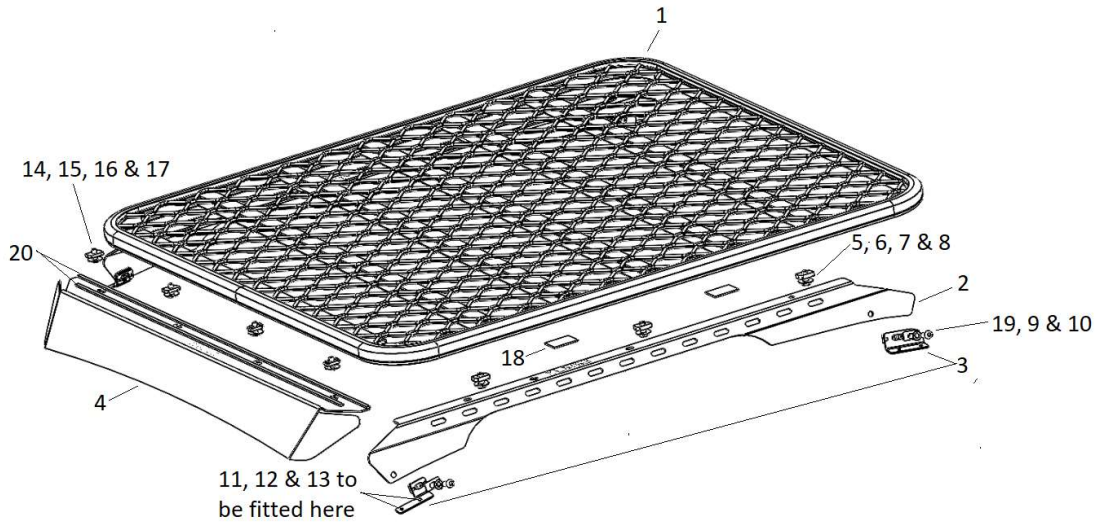
TOUGH BAR(XLBKIT153-01)



**Thank you for purchasing a TRACKLANDER 4WD ROOF RACK. Before you start, take a moment to familiarise yourself with the Fitting Instructions and the components received.**

**Refer to the next section for a list of all the components, quantities and tools required.**

What's inside the box






No	Item	Qty
*1	Roof Rack(TLRAL14/FT/OE)	1
2	Tough Bar X(Pair-XLB153)	1
3	X-Bracket Quick Fit (XAB153)	4
*4	Wind Deflector(TLRWD15X-Kit, includes 14, 15, 16, 17 & 20 )	1
Fasteners Kit for Tough Bar		
5	M10 x 25mm Hex Bolt, S/S	6
6	M10 Star Washer, S/S	6
7	$\frac{3}{8}$ x $1\frac{1}{4}$ , Flat Washer S/S	6
8	M10 Strut Nut,	6
9	$\frac{3}{8}$ x $\frac{3}{4}$ Flat Washer, S/S	4
10	M10 x 25mm, Button Socket Head Screw, SS	4
11	M6 x 16mm, Button Socket Head Screw, SS	8
12	$\frac{1}{4}$ x $\frac{3}{4}$ , Flat Washer, S/S	8
13	M6 Spring Washer, S/S	8



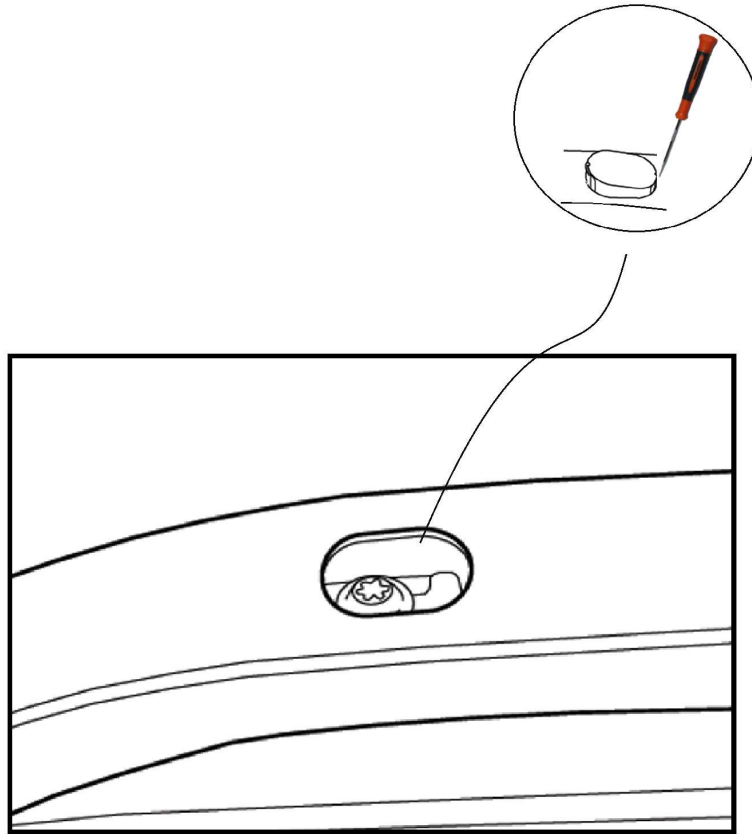
Fastener Kit for Wind Deflector		
*14	M8 Star Washer, S/S	4
*15	M8 x 25mm Button Socket Head Screw, S/S	4
*16	<sup>5</sup> / <sub>16</sub> x 1¼, Flat washer, S/S	4
*17	M8 Strut Nuts, Z/P	4
Foam Pad		
#18	Acoustic Foam Tape,(60x40x3mm)	4
#19	Bracket Foam Pad	4
#20	Acoustic Foam Tape, (1100, FS126-9)	2

Note: \*1, \*4, \*14, \*15, \*16, \*17 & #20 are provide only for purchase of a complete kit

Tools required
4mm Hexagon Wrench/Key, M6
5mm Hexagon Wrench/Key, M8
6mm Hexagon Wrench/Key, M10
T40 Torx Driver
Pick Tool
8mm Socket
Size 17mm Spanner
Measuring Tape
Fula Seal 780

Recommended Torque Setting for fasteners	
M6	
M8	
M10	

## Step 1: REMOVAL OF FACTORY FITTED RAIL



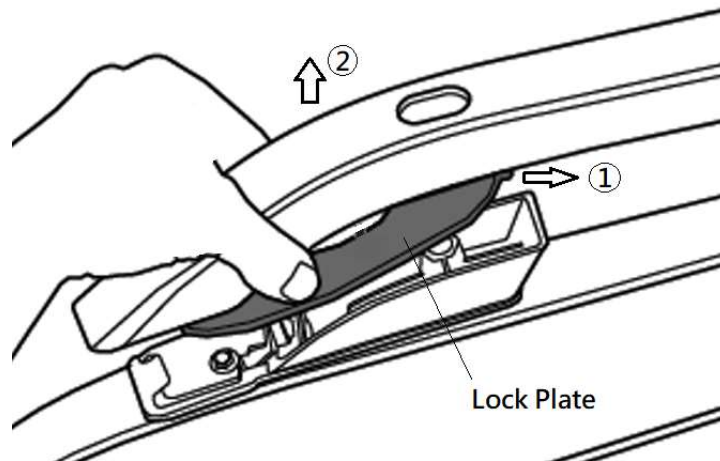
1. Remove the Rail Cap(Front & Back of the Rail) with a pick tool to reveal the Torx Screw.
2. Remove the Torx Screw with T40 Torx Driver.

Caution:



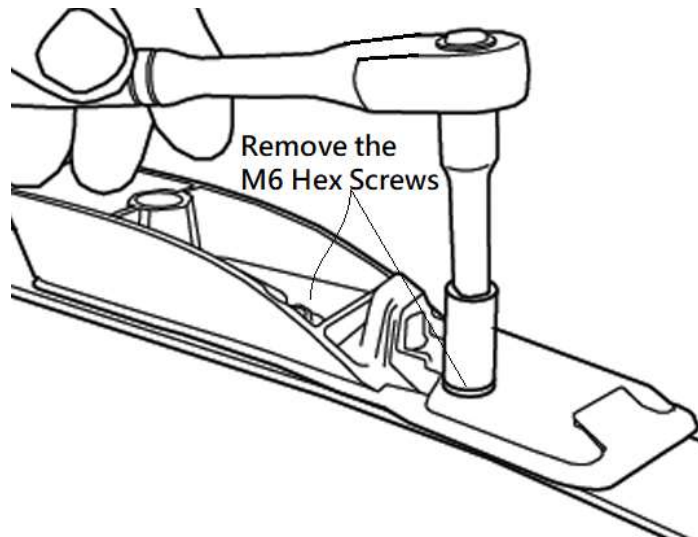
- Apply **upward pressure to the rail** to keep the inner captive nut secure while you are loosening the Torx Screw.
- Do not loosen the Torx screw all the way as the **Loctite will jam the nut** and you will not be able to remove the rail.
- **Note!** Loosen the Torx Screw using the “**Thread Tapping Method**” in a reverse manner. A full rotation counter-clockwise, make a half rotation clockwise.
- **Introduce WD40** into the thread once there is a gap to allow introduction of the lube.





3. Move the Lock Plate toward the centre of the Rail to disengage from the Rail Catch.
4. Remove the Rail by lifting it upward.
5. Repeat the same procedure for the opposite side of the rail.

## Step 2: Removal of Rail Brackets

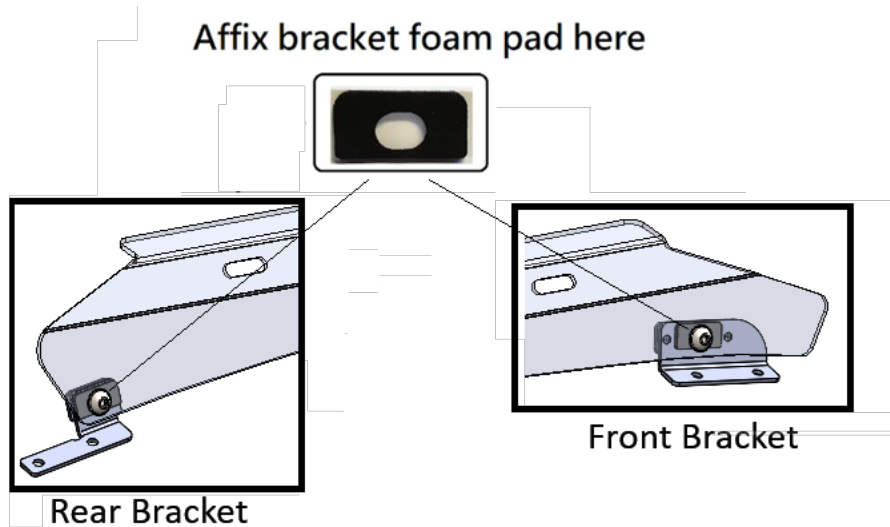


1. Remove the pair of M6 Hex Screws with a 8mm Socket.
2. Remove the Rail Brackets from the vehicle's roof
3. Repeat for the remaining Rail Brackets.
4. Clean the roof and get ready for the installation of Toughbar X.



## Step 3: INSTALLATION OF X-BRACKET

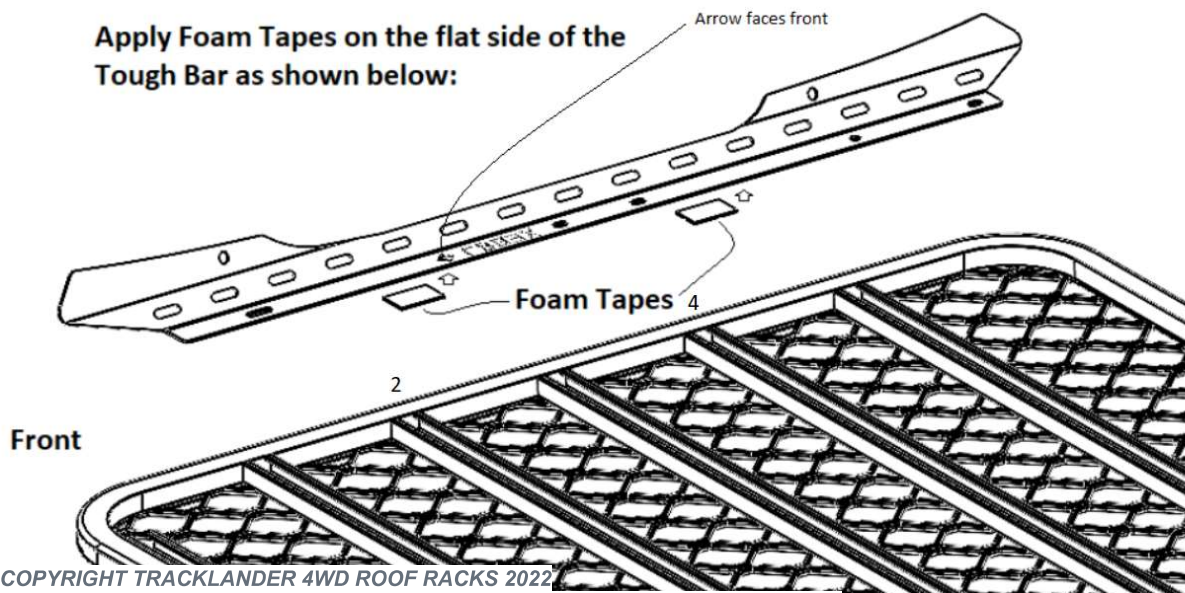
1. Install the Front and Rear Bracket per illustration below:



2. Repeat the same for the opposite side.

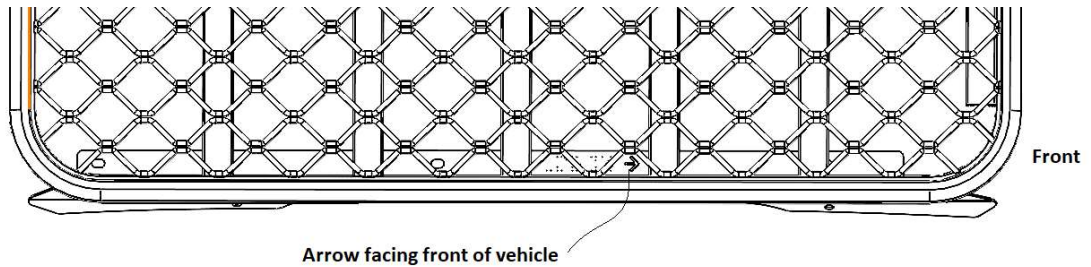
## Step 4: Setting up the Toughbar onto the Roof Rack

- Apply Acoustic Foam Tape onto the flat surface of the Tough Bar corresponding to the 2nd and 4th cross members of the roof rack.

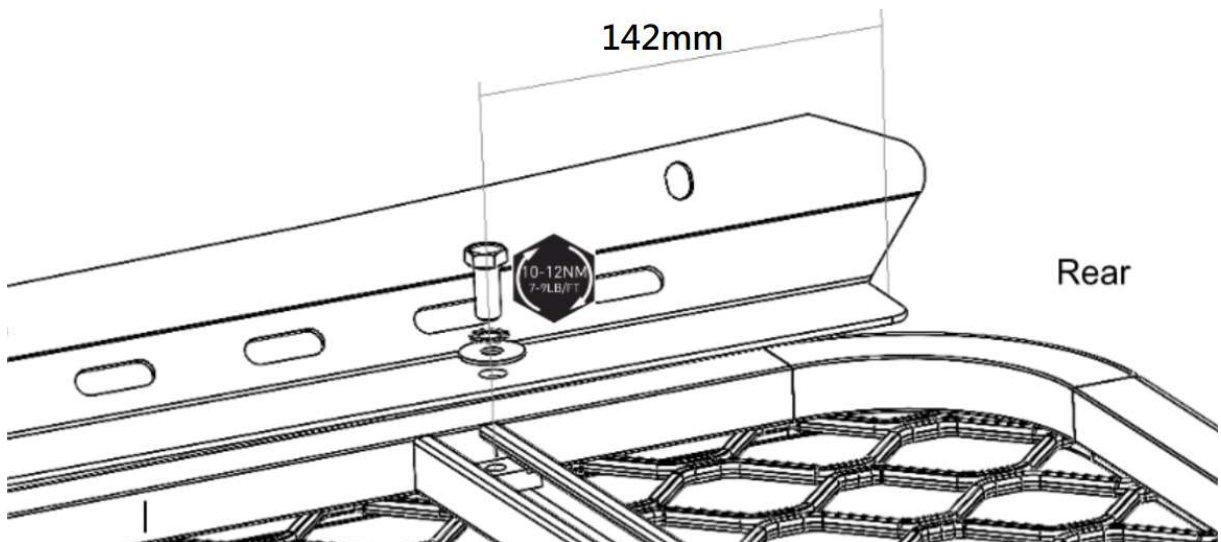


- With the TLRAL14/FT/OE Roof Rack upside down, position the flat surface of the Tough Bars on the underside of the Roof Rack as shown above.

(Tips: Start by positioning the 2nd hole from the rear of the Tough Bar, onto the 1st Channel Cross Bar from the rear of the Roof Rack. The arrow on the Tough Bar must point toward the front of the vehicle)

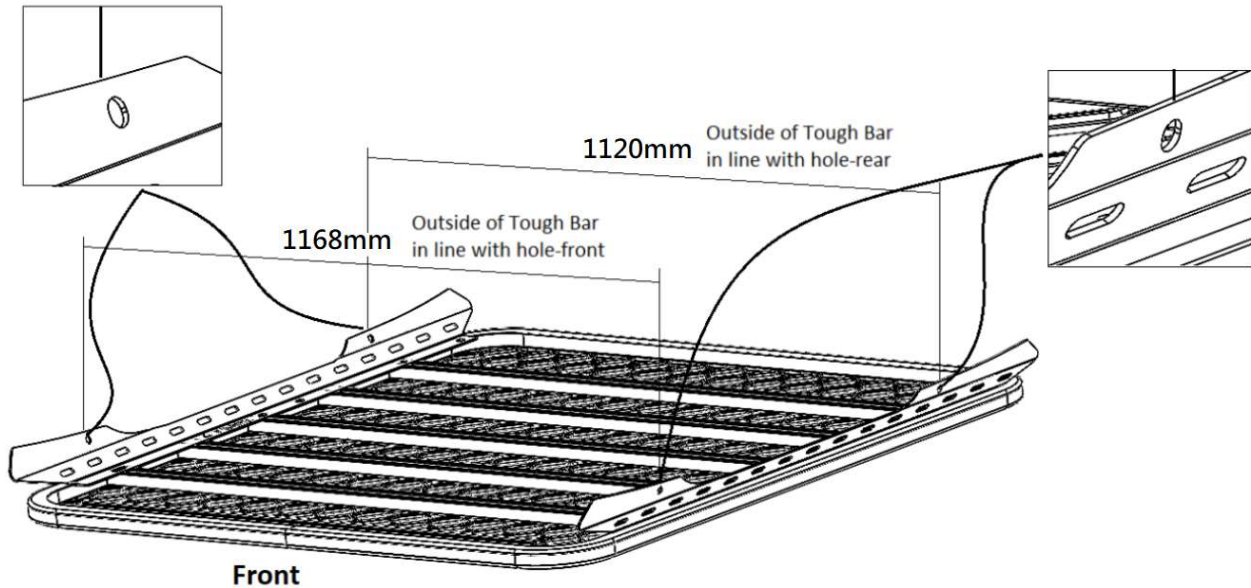


- Install all the M10 Hex Bolts, M10 Star Washers,  $\frac{3}{8}$  x  $1\frac{1}{4}$  washers and Strut Nuts to the prescribed locations on the Tough Bar. (Tips: Do not tighten until adjustment is completed)





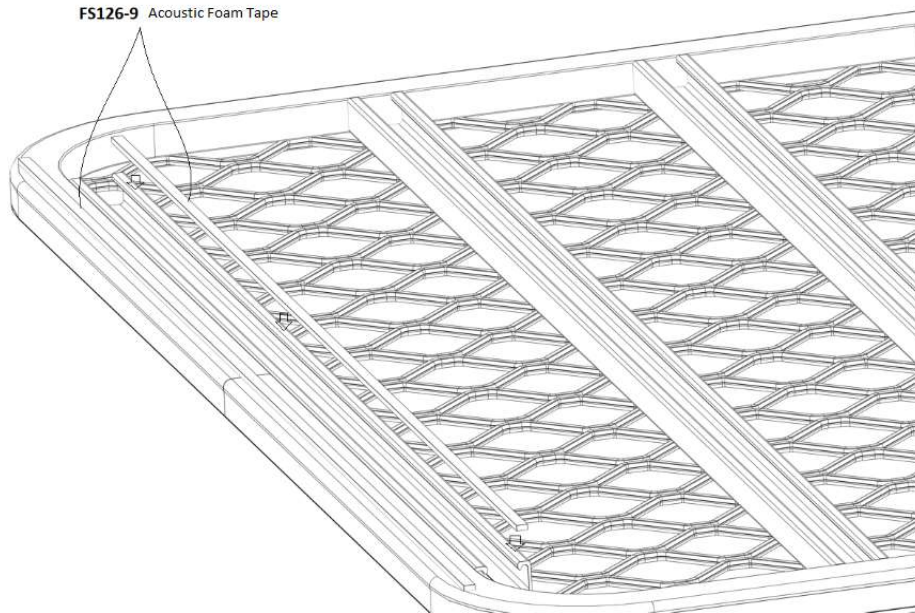
- Set the Overall Width at the front and rear mounting point as shown below:



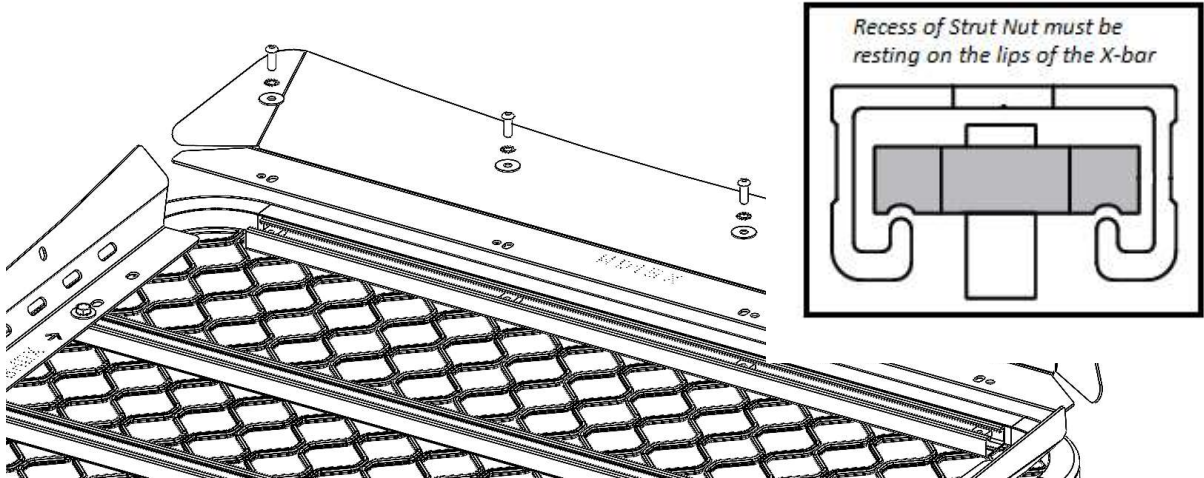
- Move the Tough Bars evenly both sides of the Centre Line to achieve **Overall Width distance at the front and rear most mounting position**. Tough Bars must be spaced evenly on both sides of Roof Rack. Once the Tough Bars are in position, tighten the M10 x 25 Hex to 10-12Nm (7-9lbs/ft)

## Step 5: INSTALLATION OF WIND DEFLECTOR (TLRWD15X)

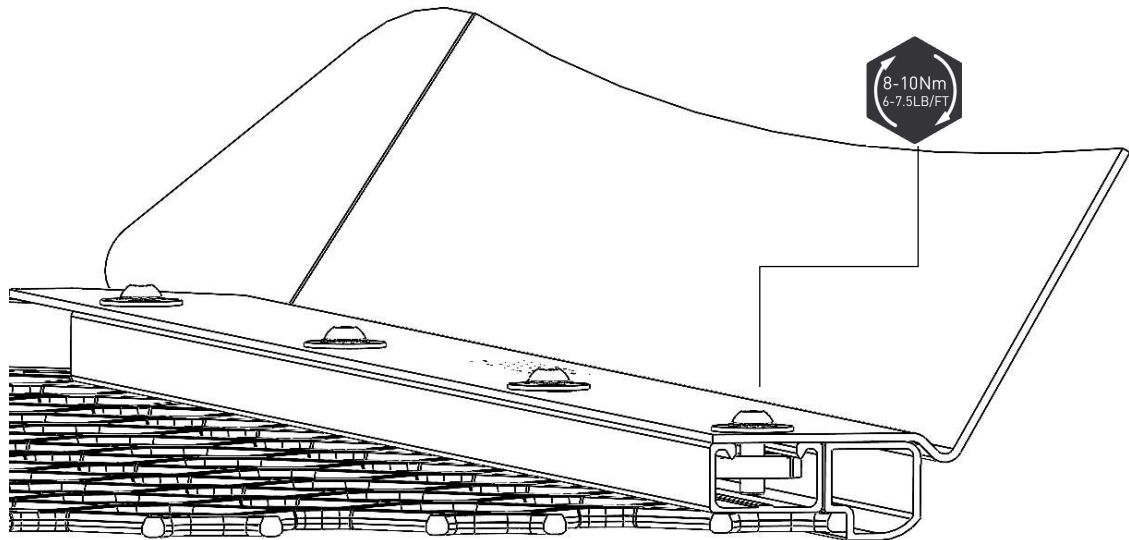
- Apply Acoustic Foam Tape on to the Roof Rack Frontal Area



- Secure the Wind-deflector onto the front of the rack as per the illustration shown below:



- Centralised and tightened.

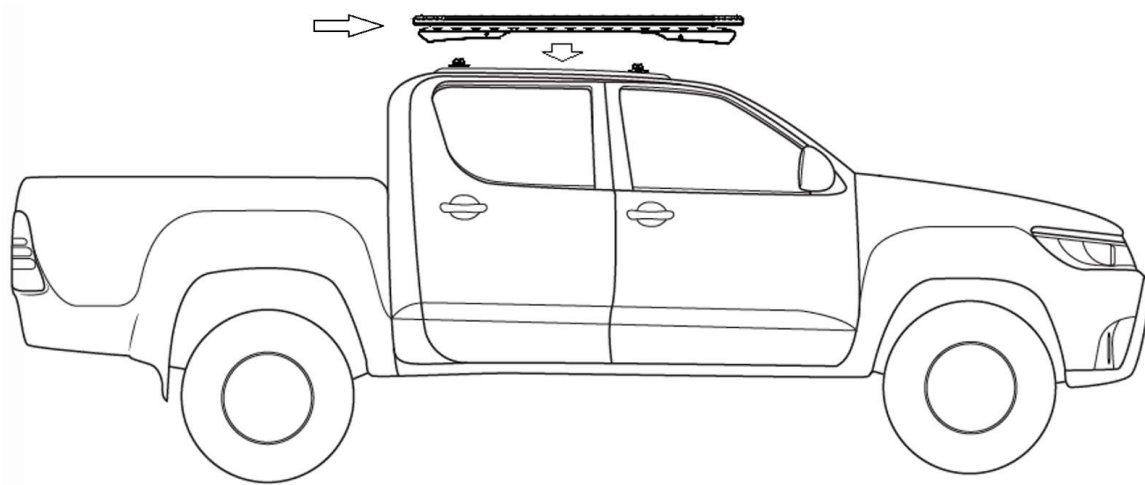


\*Wind Deflector fitted to the front channel.

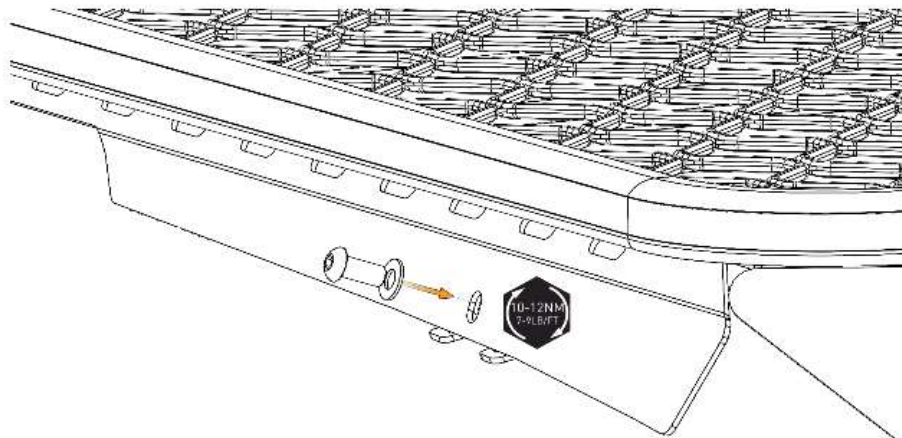
## Step 6: Installation of Roof-rack assembly

### A. Attach the Roof-rack assembly onto the X Bracket

- With a person either side of the Roof Rack, carry the Roof Rack over the rear of the vehicle and rest the Tough Bar gently over the X Brackets and align the hole centres with brackets.



- Fit the M10x25 Button Cap Socket Screw with  $\frac{3}{8}$  x  $\frac{3}{4}$  Flat Washer through the holes and tighten to 10-12Nm (7-9lbs/ft)



- Check to ensure that all fasteners are fully secured.
- The installation is now completed and ready to be used.

## SAFETY

- Cargo must be secured firmly onto the Roof Rack during operation at all times.
- Frequently check the tightness of cargo on the Roof Rack, especially when travelling over rough terrain or off-road
- Use only non-stretchable fastening ropes or straps to attach cargo onto the Roof Rack.
- Extreme care must be taken in off road conditions.

## MAINTENANCE

- All bolted connections should be checked after driving a short distance when you first install your roof racks
- All bolted connections should be checked at regular intervals, depending on road conditions, usage, loads and distances travelled
- All bolted connections should be checked each time they are re-fitted.



**IMPORTANT WARNING!**

IT IS CRITICAL THAT ALL TRACKLANDER 4WD ROOF RACK PRODUCTS BE PROPERLY AND SECURELY ASSEMBLED AND ATTACHED TO YOUR VEHICLE. IMPROPER ATTACHMENT COULD RESULT IN AN VEHICLE ACCIDENT, AND COULD CAUSE SERIOUS BODILY INJURY OR DEATH. YOU ARE RESPONSIBLE FOR ASSEMBLING AND SECURING ALL TRACKLANDER 4WD ROOF RACK PRODUCTS TO YOUR VEHICLE, CHECKING THE ATTACHMENTS PRIOR TO USE, AND PERIODICALLY INSPECTING THE PRODUCTS FOR ADJUSTMENT, WEAR AND TEAR. THEREFORE, YOU MUST READ AND UNDERSTAND ALL OF THE INSTRUCTIONS AND PRECAUTIONS SUPPLIED WITH YOUR TRACKLANDER 4WD ROOF RACK AND ACCESSORIES PRIOR TO INSTALLATION OR USE. IF YOU DO NOT UNDERSTAND ALL OF THE INSTRUCTIONS AND WARNINGS, OR IF YOU HAVE NO MECHANICAL EXPERIENCE AND ARE NOT THOROUGHLY FAMILIAR WITH THE INSTALLATION PROCEDURES, YOU SHOULD HAVE THE PRODUCT INSTALLED BY A PROFESSIONAL INSTALLER OR OTHER QUALIFIED PERSON.

NOTE: TRACKLANDER 4WD ROOF RACKS will not be responsible for any damage caused by the failure to install the product according to these instructions. Please call us if you have any questions about the installation of this product.

**TRACKLANDER 4WD ROOF RACKS**

**T : (08) 9451 0700 E :sales@tracklander.com.au W :[tracklander.com.au](http://tracklander.com.au)  
A:12 Railway Parade, Welshpool, WA 6106  
OPEN 8.00AM - 5.00PM MON-FRI**